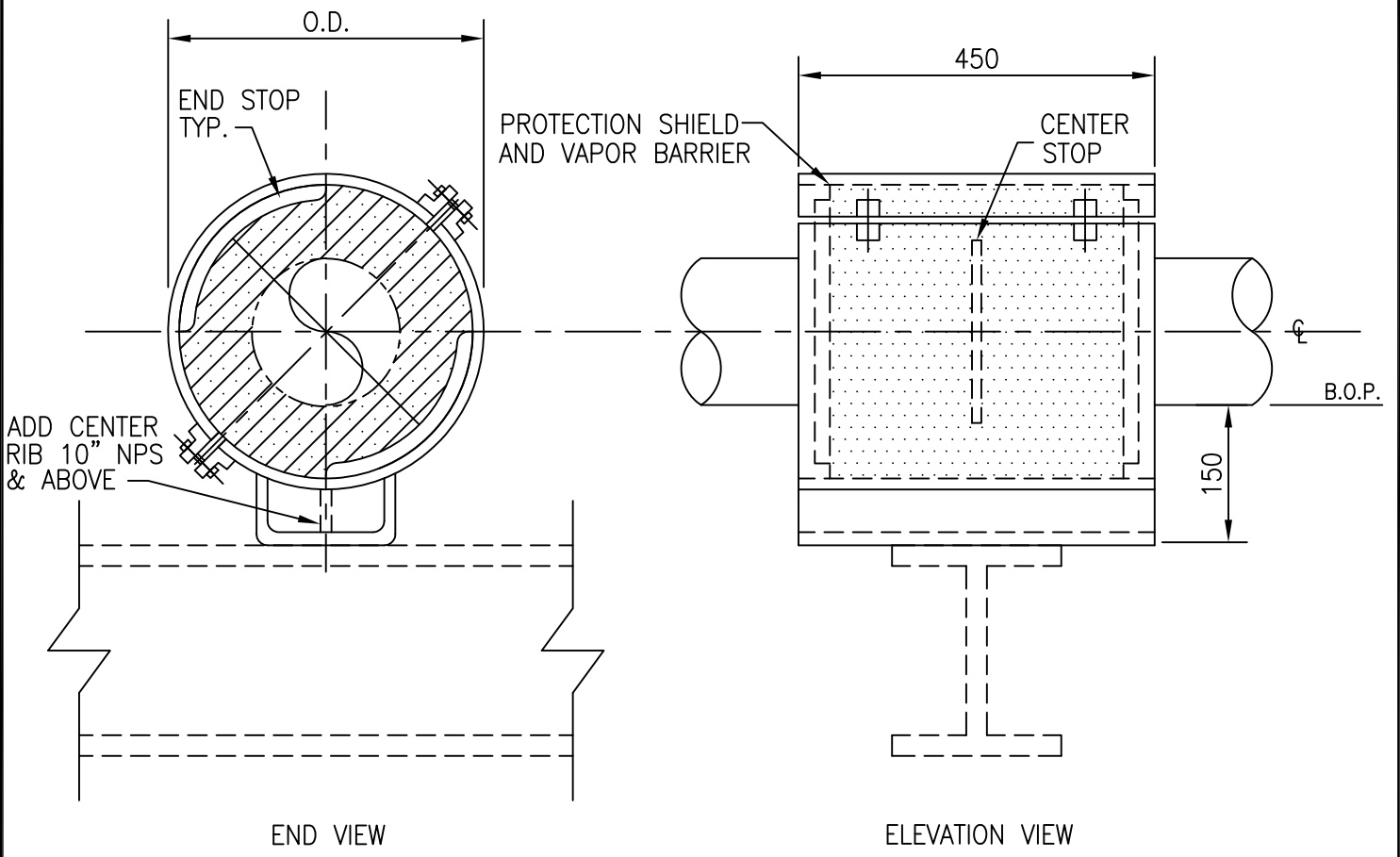
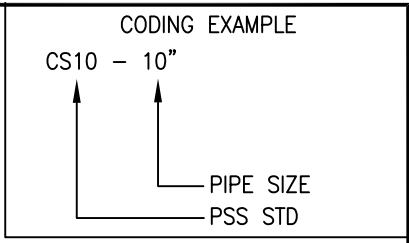


NPS	O.D. mm	PTP FIG No.
8"	450	CS-2020
10"	500	CS-2020



NOTES:

1. CRYOSHOE TO BE PT&P OR EQUIVALENT.

0	ISSUED FOR CONSTRUCTION						
REV	REVISION	DATE	DRN	CHK	ENG	APP	
CLIENT	TITLE SPECIAL PIPE SUPPORT CRYOSHOE NO WELD REQUIRED 8" TO 10" CS10						
PREPARED BY	SCALE N.T.S.	DWG. No. SPS-CS10	PROJ.	REV. 0			
		CLIENT DWG. No.					