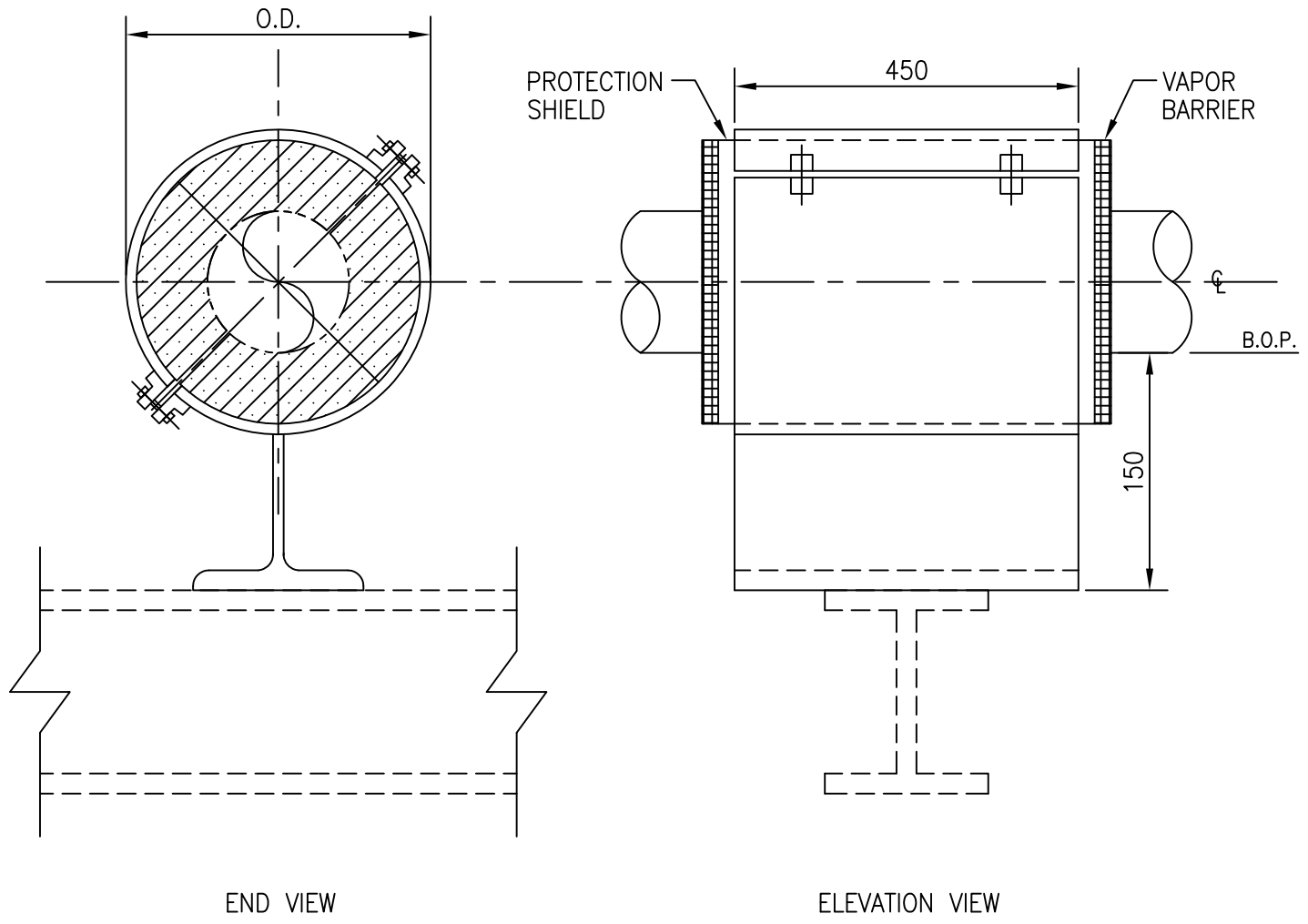
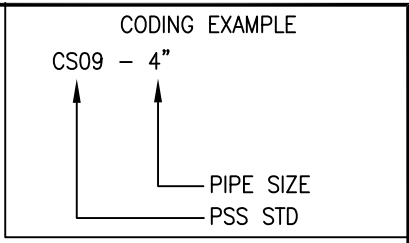


NPS	O.D. mm	PTP FIG No.
2"	286	CS-2010
3"	311	CS-2010
4"	337	CS-2010
6"	400	CS-2010



**NOTES:**  
 1. CRYOSHOE TO BE PT&P OR EQUIVALENT.

0	ISSUED FOR CONSTRUCTION									
REV	REVISION					DATE	DRN	CHK	ENG	APP
CLIENT		TITLE SPECIAL PIPE SUPPORT CRYOSHOE NO WELD REQUIRED 2" TO 6" CS09								
PREPARED BY		SCALE N.T.S.	DWG. No. SPS-CS09			PROJ.			REV. 0	