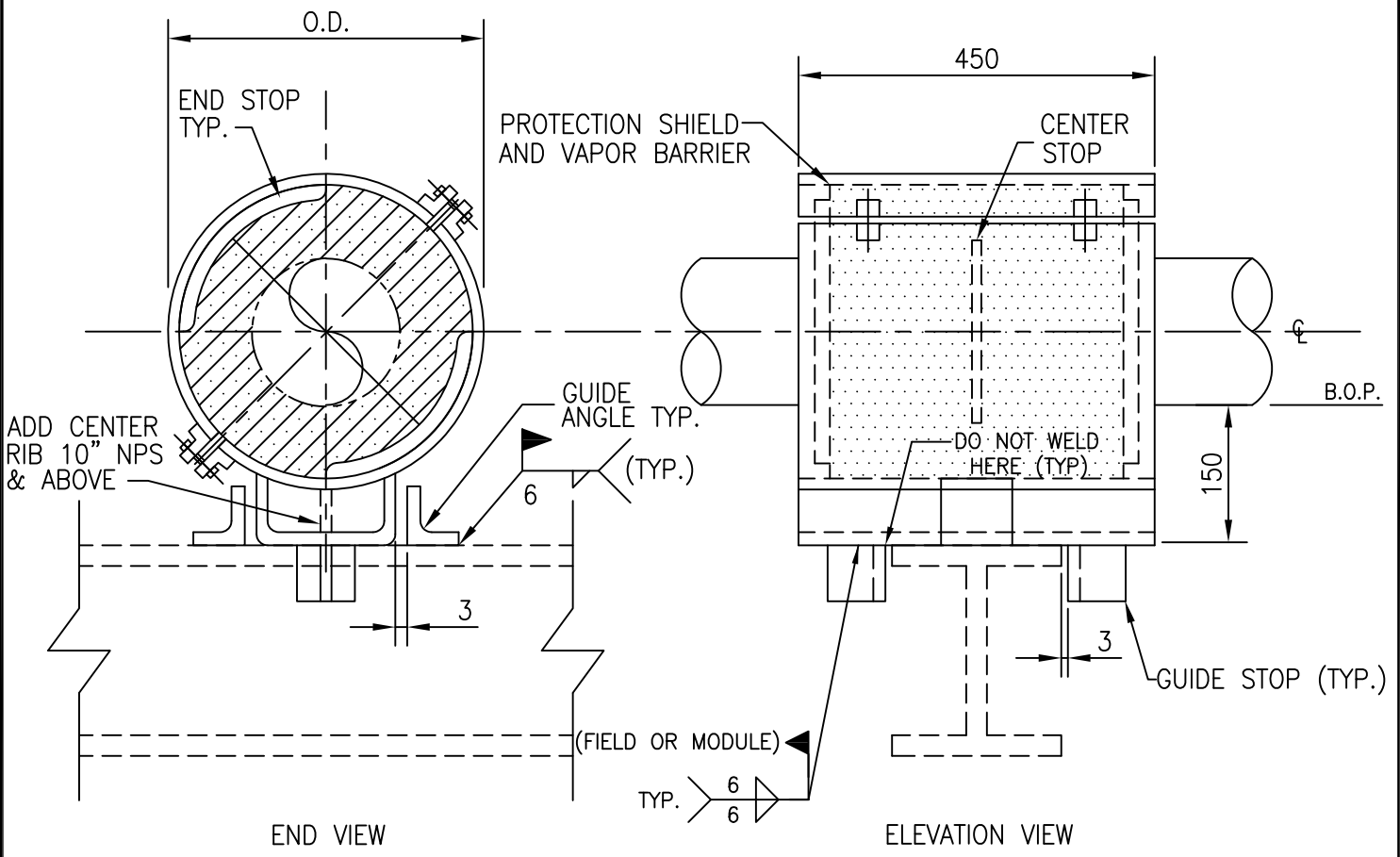
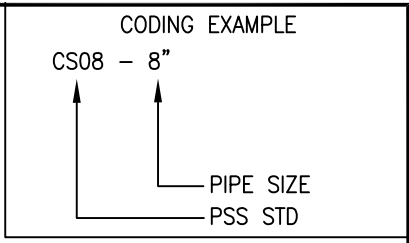


|     |         |             |
|-----|---------|-------------|
| NPS | O.D. mm | PTP FIG No. |
| 8"  | 450     | CS-2021     |
| 10" | 500     | CS-2021     |



**NOTES:**

1. CRYOSHOE TO BE PT&P OR EQUIVALENT.

| 0           | ISSUED FOR CONSTRUCTION |  |                 |          |       |      |  |  |
|-------------|-------------------------|--|-----------------|----------|-------|------|--|--|
| REV         | REVISION                | DATE   | DRN             | CHK      | ENG   | APP  |  |  |
| CLIENT      |                         | TITLE  |                 |          |       |      |  |  |
|             |                         | SPECIAL PIPE SUPPORT<br>CRYOSHOE WITH GUIDE & ANCHOR 8" TO 10"<br>CS08 |                 |          |       |      |  |  |
| PREPARED BY |                         | SCALE  | DWG. No.        | SPS-CS08 | PROJ. | REV. |  |  |
|             |                         | N.T.S.   | CLIENT DWG. No. |          |       | 0    |  |  |