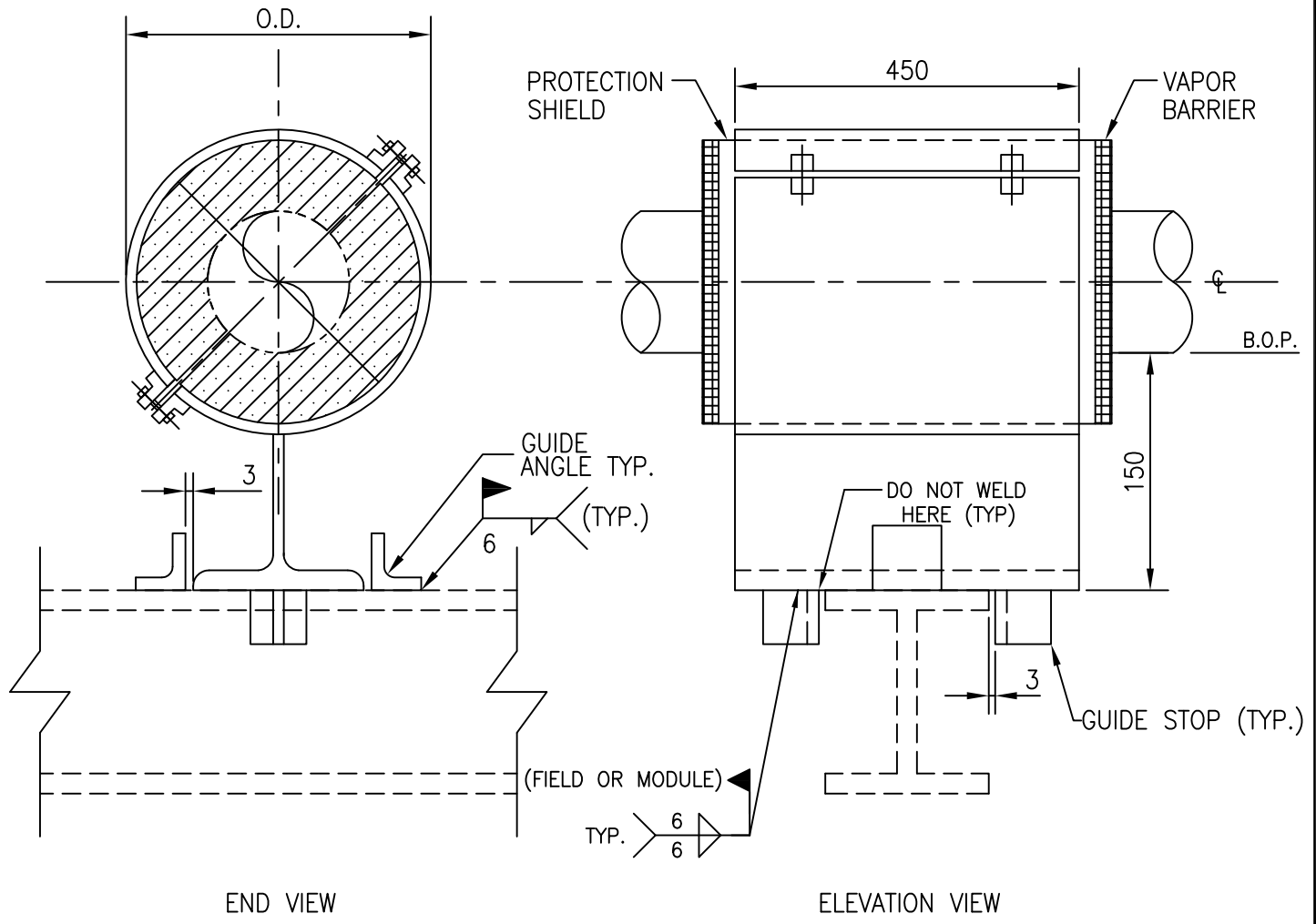
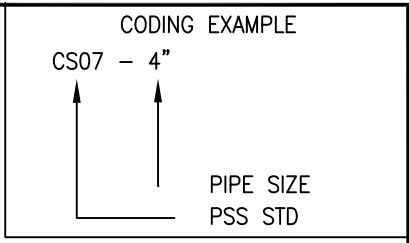


NPS	O.D. mm	PTP FIG No.
2"	286	CS-2011
3"	311	CS-2011
4"	337	CS-2011
6"	400	CS-2011



NOTES:

1. CRYOSHOE TO BE PT&P OR EQUIVALENT.

0	ISSUED FOR CONSTRUCTION						
REV	REVISION	DATE	DRN	CHK	ENG	APP	
CLIENT		TITLE SPECIAL PIPE SUPPORT CRYOSHOE WITH GUIDE & ANCHOR 2" TO 6" CS07					
PREPARED BY		SCALE N.T.S.	DWG. No. SPS-CS07	CLIENT DWG. No.	PROJ.	REV. 0	