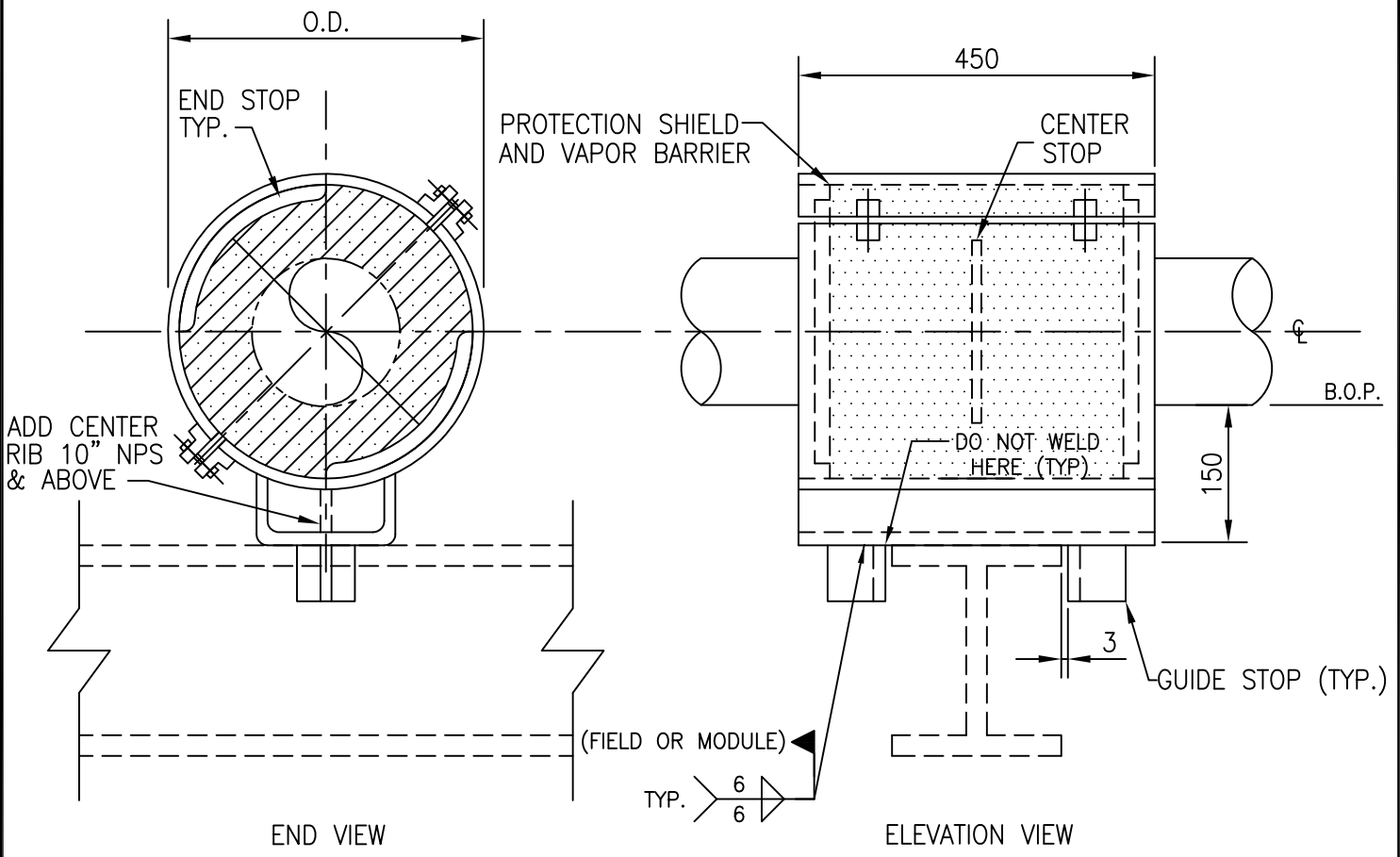
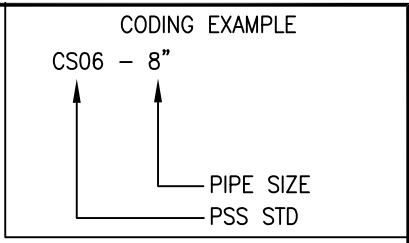


NPS	O.D. mm	PTP FIG No.
8"	450	CS-2021
10"	500	CS-2021



NOTES:

- 1. CRYOSHOE TO BE PT&P OR EQUIVALENT.

0	ISSUED FOR CONSTRUCTION						
REV	REVISION	DATE	DRN	CHK	ENG	APP	
CLIENT		TITLE					
		SPECIAL PIPE SUPPORT CRYOSHOE WITH ANCHOR 8" TO 10" CS06					
PREPARED BY		SCALE	DWG. No.	PROJ.	REV.		
		N.T.S.	SPS-CS06		0		
			CLIENT DWG. No.				