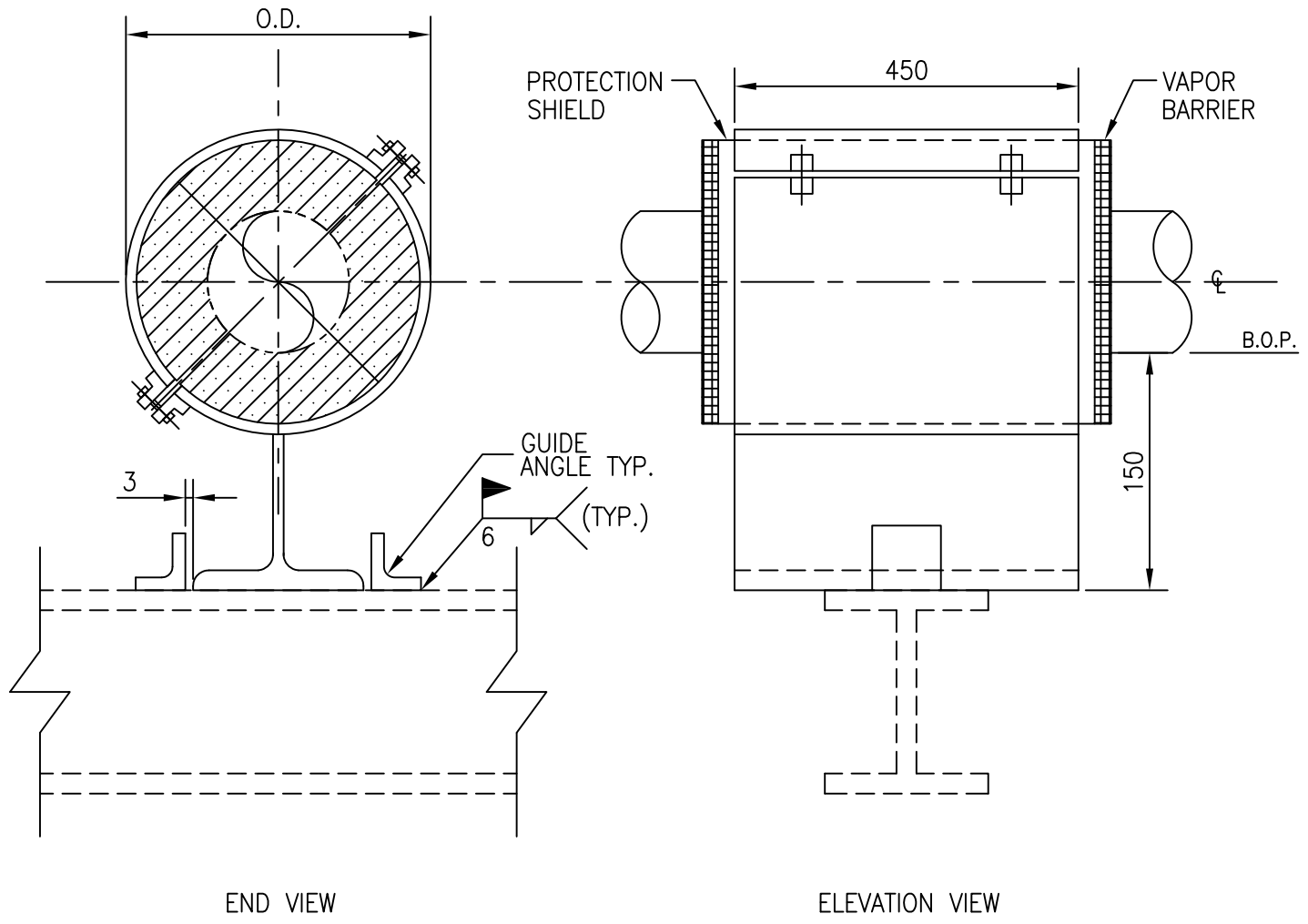
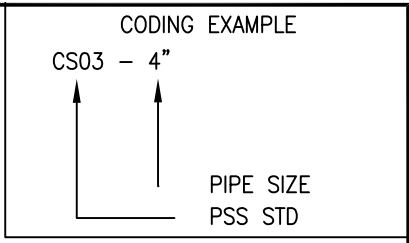


NPS	O.D. mm	PTP FIG No.
2"	286	CS-2011
3"	311	CS-2011
4"	337	CS-2011
6"	400	CS-2011



NOTES:

- 1. CRYOSHOE TO BE PT&P OR EQUIVALENT.

0	ISSUED FOR CONSTRUCTION							
REV	REVISION			DATE	DRN	CHK	ENG APP	
CLIENT	TITLE SPECIAL PIPE SUPPORT CRYOSHOE WITH GUIDE 2" TO 6" CS03							
PREPARED BY	SCALE N.T.S.	DWG. No. SPS-CS03			PROJ.	REV. 0		