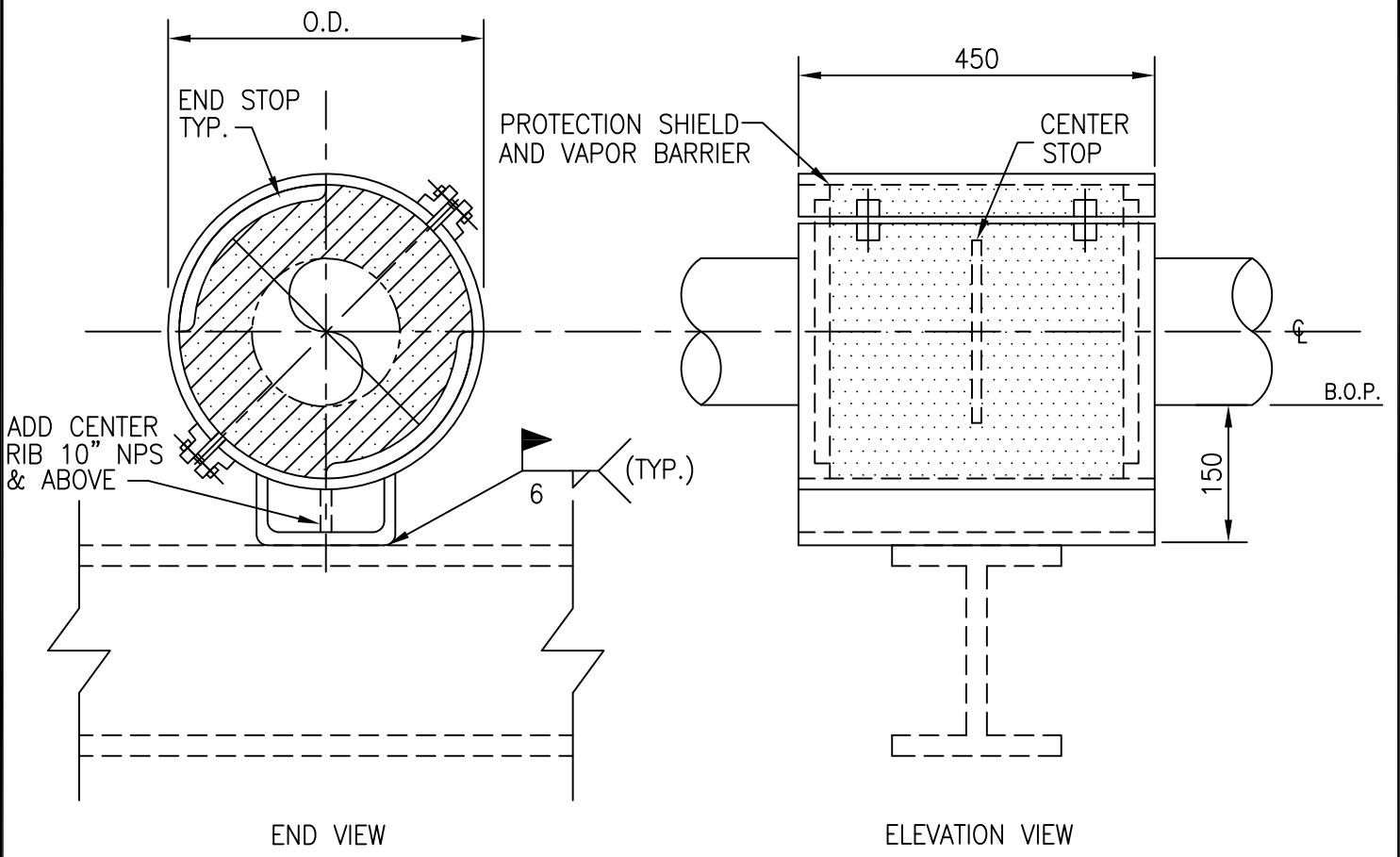
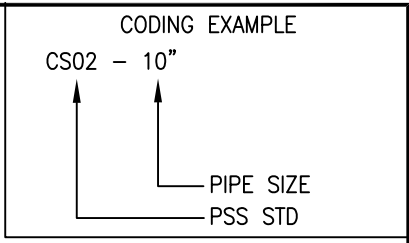


NPS	O.D. mm	PTP FIG No.
8"	450	CS-2020
10"	500	CS-2020



NOTES:

1. CRYOSHOE TO BE PT&P OR EQUIVALENT.

0	ISSUED FOR CONSTRUCTION						
REV	REVISION	DATE	DRN	CHK	ENG	APP	
CLIENT		TITLE					
		SPECIAL PIPE SUPPORT CRYOSHOE 8" TO 10" CS02					
PREPARED BY		SCALE	DWG. No.	PROJ.	REV.		
		N.T.S.	SPS-CS02		0		
			CLIENT DWG. No.				