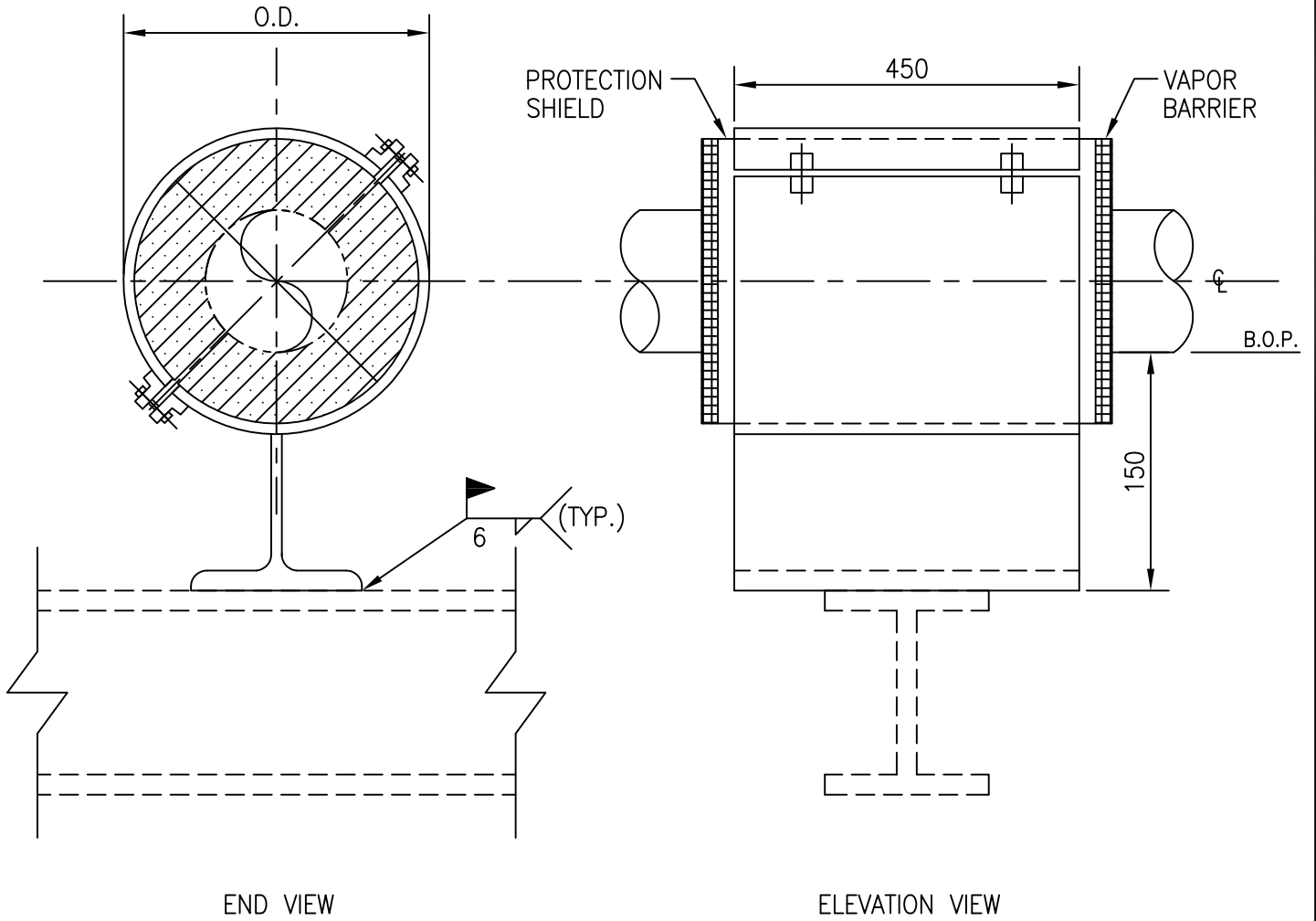
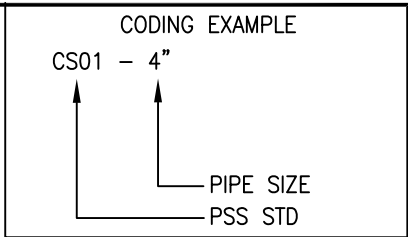


NPS	O.D. mm	PTP FIG No.
2"	286	CS-2010
3"	311	CS-2010
4"	337	CS-2010
6"	400	CS-2010



NOTES:

1. CRYOSHOE TO BE PT&P OR EQUIVALENT.

0	ISSUED FOR CONSTRUCTION							
REV	REVISION			DATE	DRN	CHK	ENG APP	
CLIENT		TITLE						
		SPECIAL PIPE SUPPORT CRYOSHOE 2" TO 6" CS01						
PREPARED BY		SCALE	DWG. No.	SPS-CS01	PROJ.	REV.		
		N.T.S.	CLIENT DWG. No.			0		