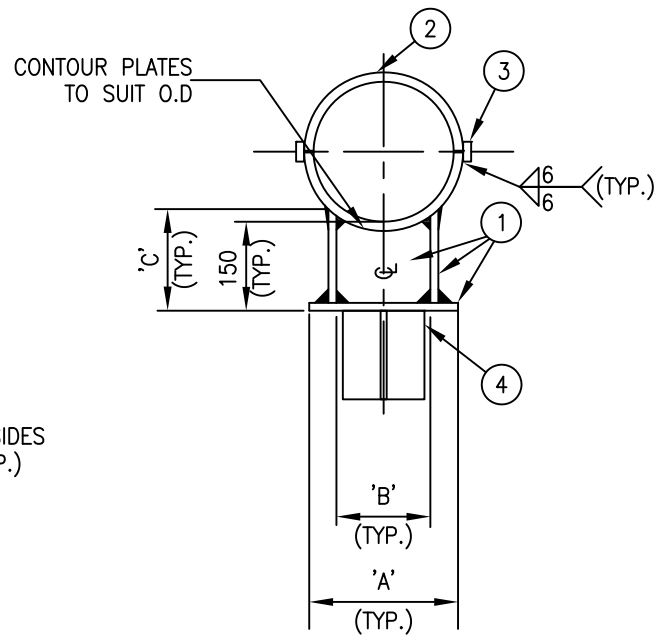
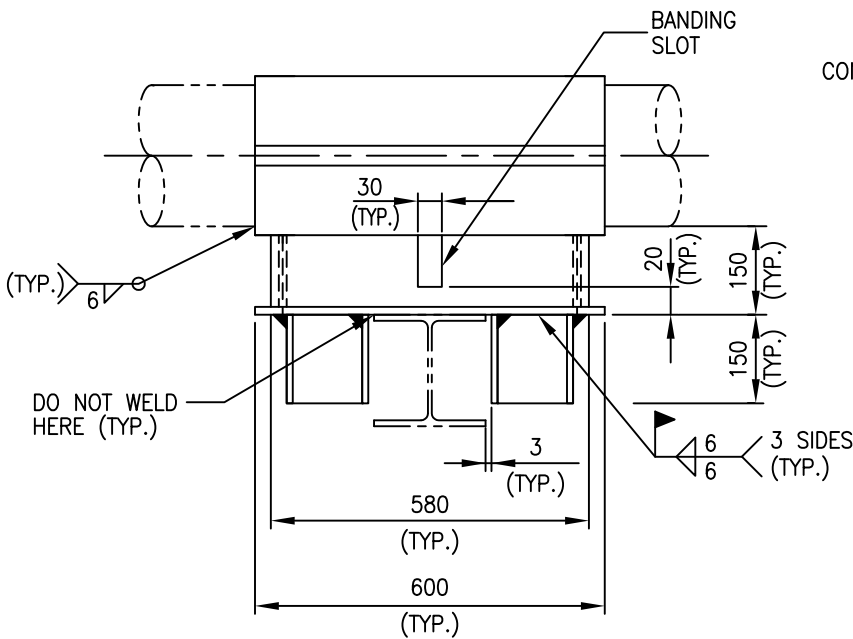
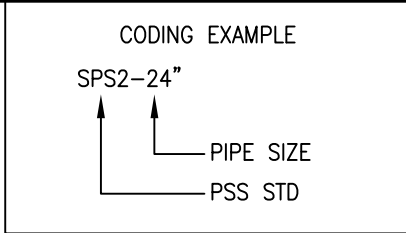


PIPE SIZE	'A'	'B'	'C'
14"	275	215	188
16"	300	240	191
18"	330	270	194
20"	380	320	207
22"	430	370	221
24"	480	420	235
30"	630	570	278
36"	780	720	325



MK.	QTY	DESCRIPTION	MATERIAL
1	5	12.7 PLATE AS SHOWN	CSA G40.21 GR. 300W
2	2	PLATE 12.7 x 180" WRAP, 600 LG., ID to match pipe	ASTM A516 GR. 70
3	2	BAR 12.7 x 25 x 600 LG	CSA G40.21 GR. 300W
4	4	W150 x 22 x 150 LG	CSA G40.21 GR. 300W

0	ISSUED FOR CONSTRUCTION						
REV	REVISION	DATE	DRN	CHK	ENG	APP	

CLIENT	TITLE SPECIAL SUPPORT STANDARD DIRECTIONAL ANCHOR FOR CSA PIPING 14" TO 36" SPS2					
PREPARED BY	SCALE N.T.S.	DWG. No. SPS-0002	PROJ.	REV. 0		