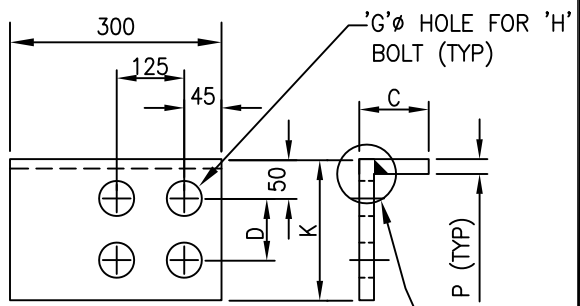
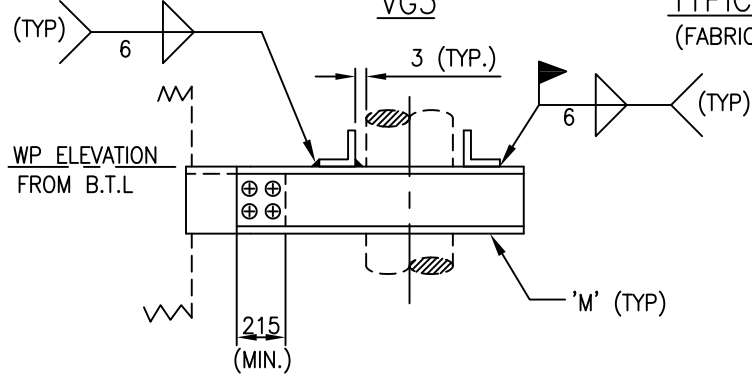
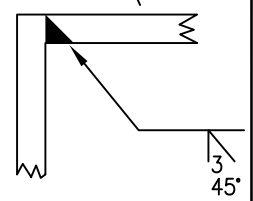


TYPICAL VESSEL CLIP DETAIL TYPE 1
 (FABRICATED FROM PLATE THICKNESS 'P')



TYPICAL VESSEL CLIP DETAIL TYPE 2
 (FABRICATED FROM PLATE)

NOMINAL PIPE SIZE	ANGLE A	CHANNEL M	W	C	D	G	H	K	P	CLIP TYPE
2"	51 X 51 X 6.4	C200 X 21	66	60	103	22Ø	3/4" X 2 3/4"	203	10	1
3"	51 X 51 X 6.4	C200 X 21	95	60	103	22Ø	3/4" X 2 3/4"	203	10	1
4"	51 X 51 X 6.4	C200 X 21	120	60	103	22Ø	3/4" X 2 3/4"	203	10	1
6"	51 X 51 X 6.4	C200 X 21	174	60	103	22Ø	3/4" X 2 3/4"	203	10	2
8"	51 X 51 X 6.4	C200 X 21	225	60	103	22Ø	3/4" X 2 3/4"	203	12	2
10"	64 X 64 X 7.9	C250 X 37	279	70	154	22Ø	3/4" X 3 1/4"	254	12	2
12"	64 X 64 X 7.9	C250 X 37	330	70	154	22Ø	3/4" X 3 1/4"	254	12	2



NOTES:

1. VESSEL FABRICATOR TO FURNISH VESSEL CLIP WELDED TO VESSEL RE-PAD. ALL OTHER MATERIAL FURNISHED BY SUPPORT FABRICATOR.
2. ALL CLIPS WELDED TO VESSEL TO BE SAME MATERIAL AS VESSEL. ALL OTHER MATERIAL TO BE CARBON STEEL CSA G40.21 GR.300W
3. BOLTS A325 C/W A563 NUT AND WASHER.
4. INDICATE LENGTH ON ISOMETRIC (COMMENT).

0	ISSUED FOR CONSTRUCTION									
REV	REVISION					DATE	DRN	CHK	ENG	APP
CLIENT			TITLE PIPE SUPPORT STANDARD 2" TO 12" VESSEL GUIDE FOR UNINSULATED PIPE VG3							
PREPARED BY			SCALE N.T.S.	DWG. No. PSS-VG03			PROJ.		REV. 0	