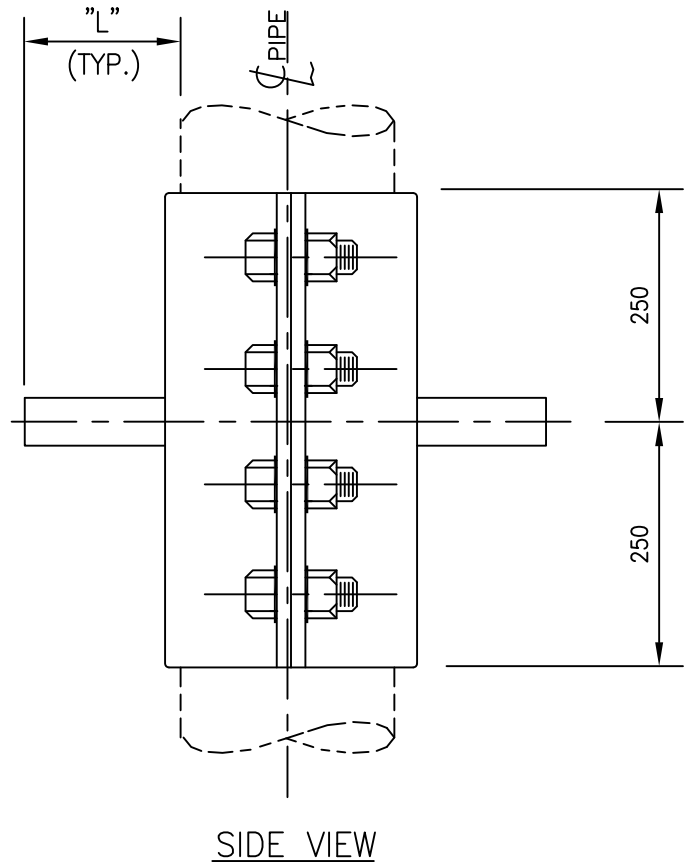
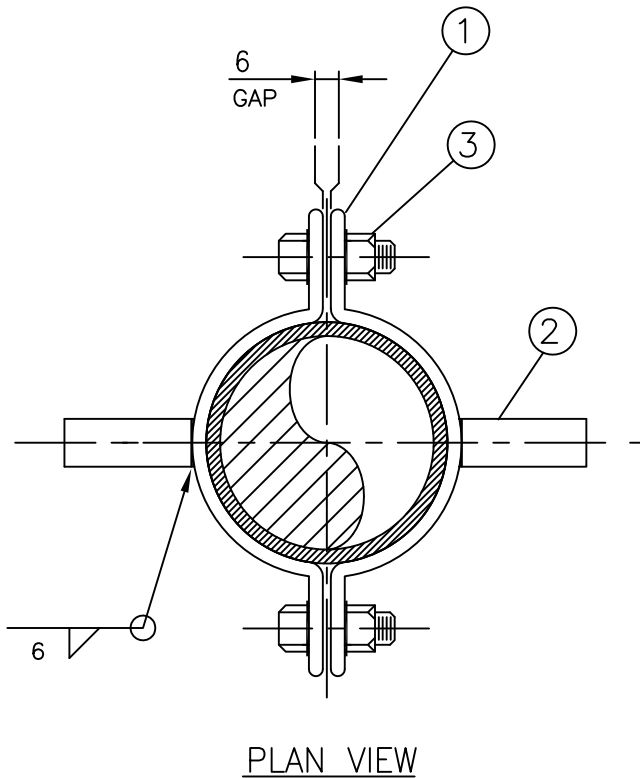


CODING EXAMPLE
 RC3-8"-150

↑ PIPE SIZE
 ↑ LENGTH 'L'
 ↑ PSS STD.

ITEM No.	QTY	DESCRIPTION
1	2	500 x 10 THICK PLATE (FORMED TO MATCH PIPE OD) CARBON STEEL CSA G40.21 GR.300W
2	2	2" NPS SCH. 80 PIPE x 'L' LONG A-106 GR B SEAMLESS
3	8	3/4" x 2 3/4" LG BOLTS C/W NUTS A325 BOLTS / A194 2H OR A563 NUTS



NOTES:

1. USE OF THIS SUPPORT REQUIRES STRESS APPROVAL.

0	ISSUED FOR CONSTRUCTION							
REV	REVISION	DATE	DRN	CHK	ENG	APP		
CLIENT		TITLE PIPE SUPPORT STANDARD NPS 2" TO NPS 8" RISER CLAMP FOR GALVANIZED PIPE RC3						
PREPARED BY		SCALE N.T.S.	DWG. No. PSS-RC03	PROJ.	REV. 0			
		CLIENT DWG. No.						