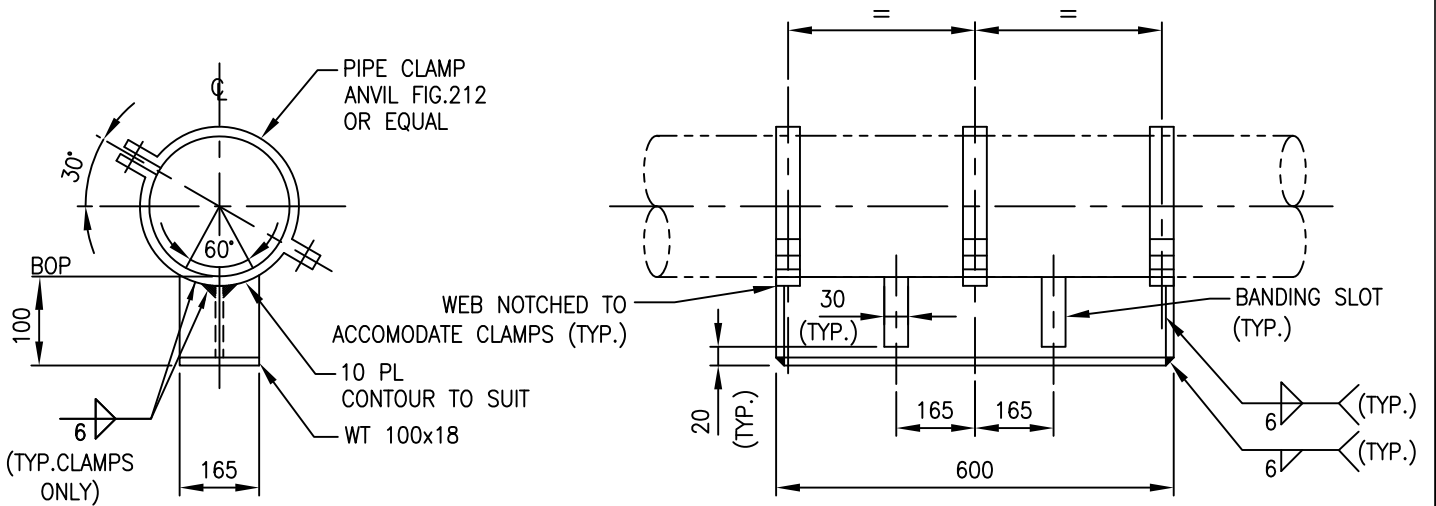


CODING EXAMPLE
 PS29-10"
 PIPE SIZE
 PSS STD



NOTES

1. CLAMP SHOE MATERIAL IS CARBON STEEL CSA G40.21 GR.300W.
2. BOLTING MATERIAL A325, A563 NUT AND WASHER.
3. FOR ALL NON CS PIPING (ALLOY, FRP, PLASTIC) A 3mm THK THERMOFAB LINER OR EQUAL MUST BE WRAPPED AROUND THE PIPE AT THE CLAMP CONTACT POINTS.

0	ISSUED FOR CONSTRUCTION						
REV	REVISION	DATE	DRN	CHK	ENG	APP	
CLIENT	TITLE PIPE SUPPORT STANDARD CLAMPED LONG PIPE SHOE 100 mm HIGH NPS 10" TO NPS 12" PS29						
PREPARED BY	SCALE N.T.S.	DWG. No. PSS-PS29	PROJ.	REV. 0			
		CLIENT DWG. No.					