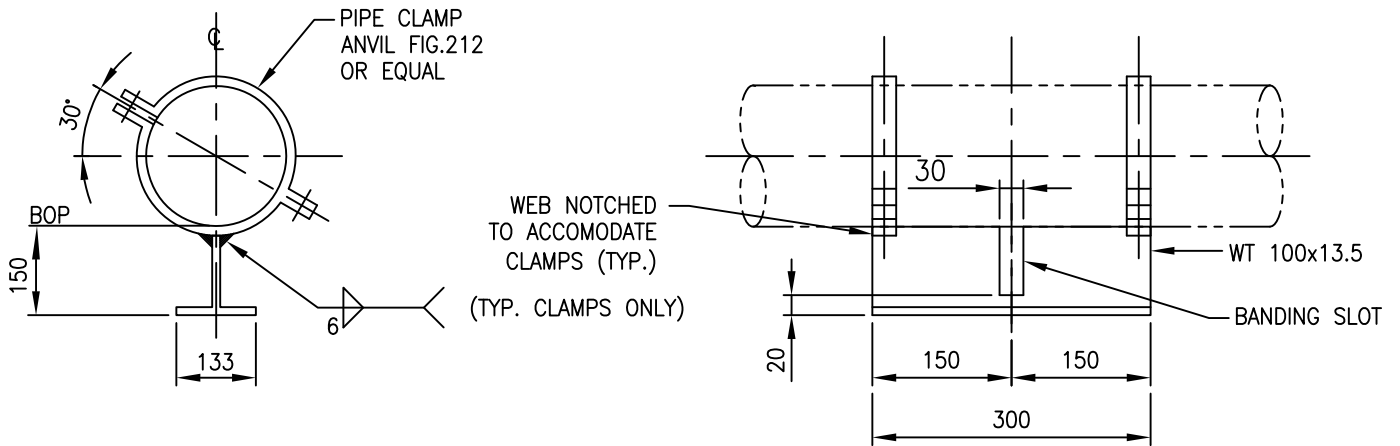


CODING EXAMPLE

PS23-8"

PIPE SIZE

PSS STD



NOTES

1. CLAMP SHOE MATERIAL IS CARBON STEEL CSA G40.21 GR.300W.
2. BOLTING MATERIAL A325, A563 NUT AND WASHER.
3. FOR ALL NON CS PIPING (ALLOY, FRP, PLASTIC) A 3mm THK THERMOFAB LINER OR EQUAL MUST BE WRAPPED AROUND THE PIPE AT THE CLAMP CONTACT POINTS.

0	ISSUED FOR CONSTRUCTION							
REV	REVISION			DATE	DRN	CHK	ENG APP	
CLIENT		TITLE PIPE SUPPORT STANDARD CLAMPED PIPE SHOE 150 mm HIGH NPS 8" AND BELOW PS23						
PREPARED BY		SCALE	DWG. No. PSS-PS23		PROJ.		REV.	
		N.T.S.	CLIENT DWG. No.				0	