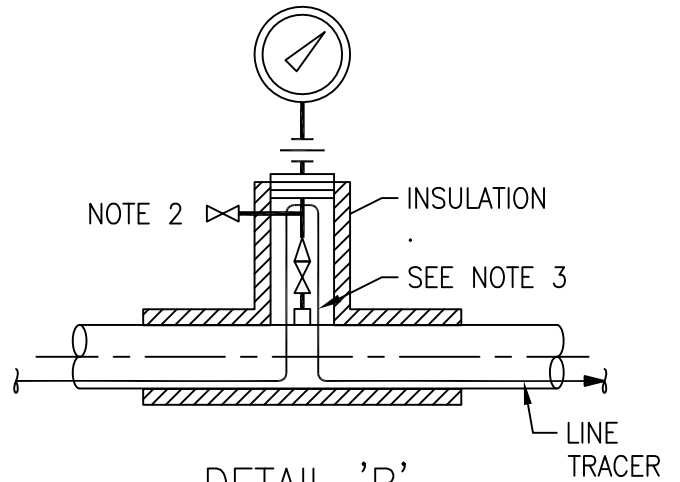
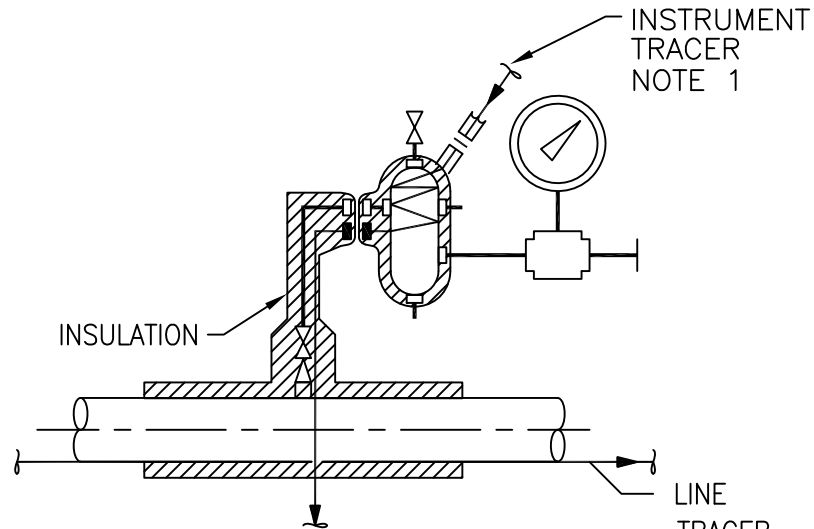


DETAIL 'A'
UNSEALED PRESSURE DEVICE



DETAIL 'B'
DIAPHRAGM SEALED PRESSURE INDICATOR



TO RETURN MANIFOLD
DETAIL 'C'
SEALED PRESSURE DEVICE

NOTES:

1. TRACER SHALL BE SNUG AGAINST SEAL POT AND ADJACENT PIPING.
2. VENT SHALL PROTRUDE THROUGH INSULATION.
3. USE LINE TRACER UP TO 1/2 NPS OTHERWISE USE SEPARATE TRACER.

0	ISSUED FOR CONSTRUCTION						
REV	REVISION	DATE	DRN	CHK	ENG	APP	
CLIENT	TITLE						
	GLYCOL TRACING PRESSURE INDICATOR DETAILS						
PREPARED BY	SCALE	DWG. No.	GT-019	PROJ.	REV.		
	N.T.S.	CLIENT DWG. No.			0		