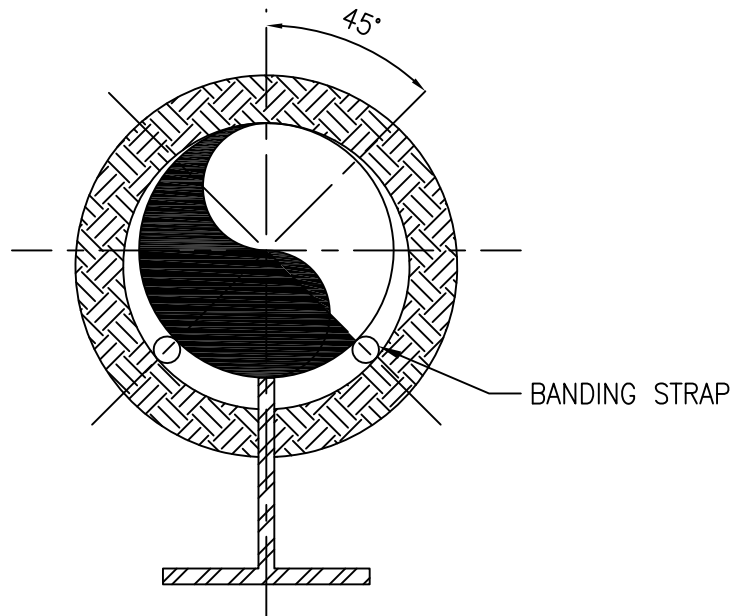


DOUBLE STRAP EACH TRACER SEPARATELY TO THE HEADER.
STRAPS TO BE TIGHT ENOUGH TO PREVENT MOVEMENT
BETWEEN THE PROCESS LINE AND THE TRACERS.


PLAN VIEW



SECTION 'A-A'

NOTE:

FOR TRACER ANCHOR AND GUIDE LOCATION SEE PIPING STANDARD DRAWING GT-009.

0	ISSUED FOR CONSTRUCTION								
REV	REVISION			DATE	DRN	CHK	ENG	APP	
CLIENT		TITLE							
		<p style="text-align: center;">GLYCOL TRACING TRACING ANCHOR AND GUIDE INSTALLATION</p>							
PREPARED BY		SCALE	DWG. No.	GT-013	PROJ.	REV.			
		N.T.S.	CLIENT				0		
			DWG. No.						