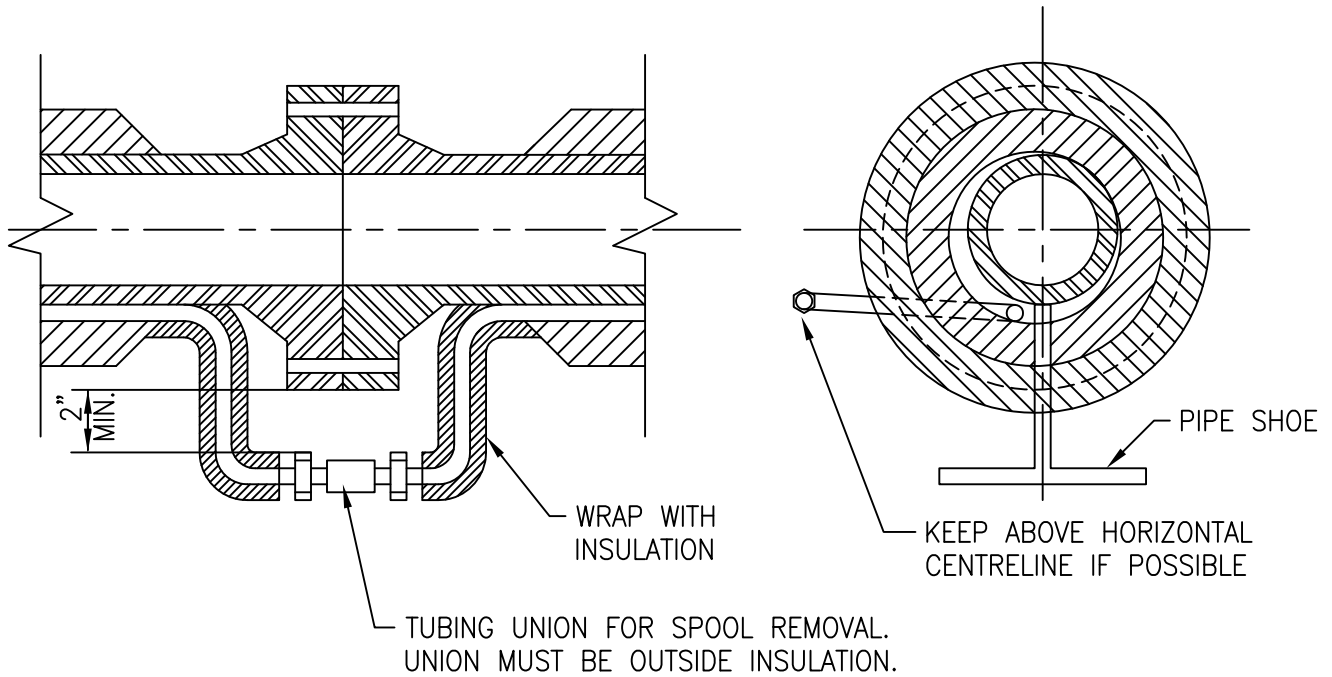


TYPICAL TRACER INSTALLATION



UNION CONNECTION DETAIL AT FLANGES
FOR GLYCOL TRACING

0	ISSUED FOR CONSTRUCTION						
REV	REVISION	DATE	DRN	CHK	ENG	APP	
CLIENT	TITLE						
	<p style="text-align: center;">GLYCOL TRACING UNION CONNECTION DETAIL</p>						
PREPARED BY	SCALE	DWG. No.	GT-012	PROJ.	REV.		
	N.T.S.	CLIENT DWG. No.			0		