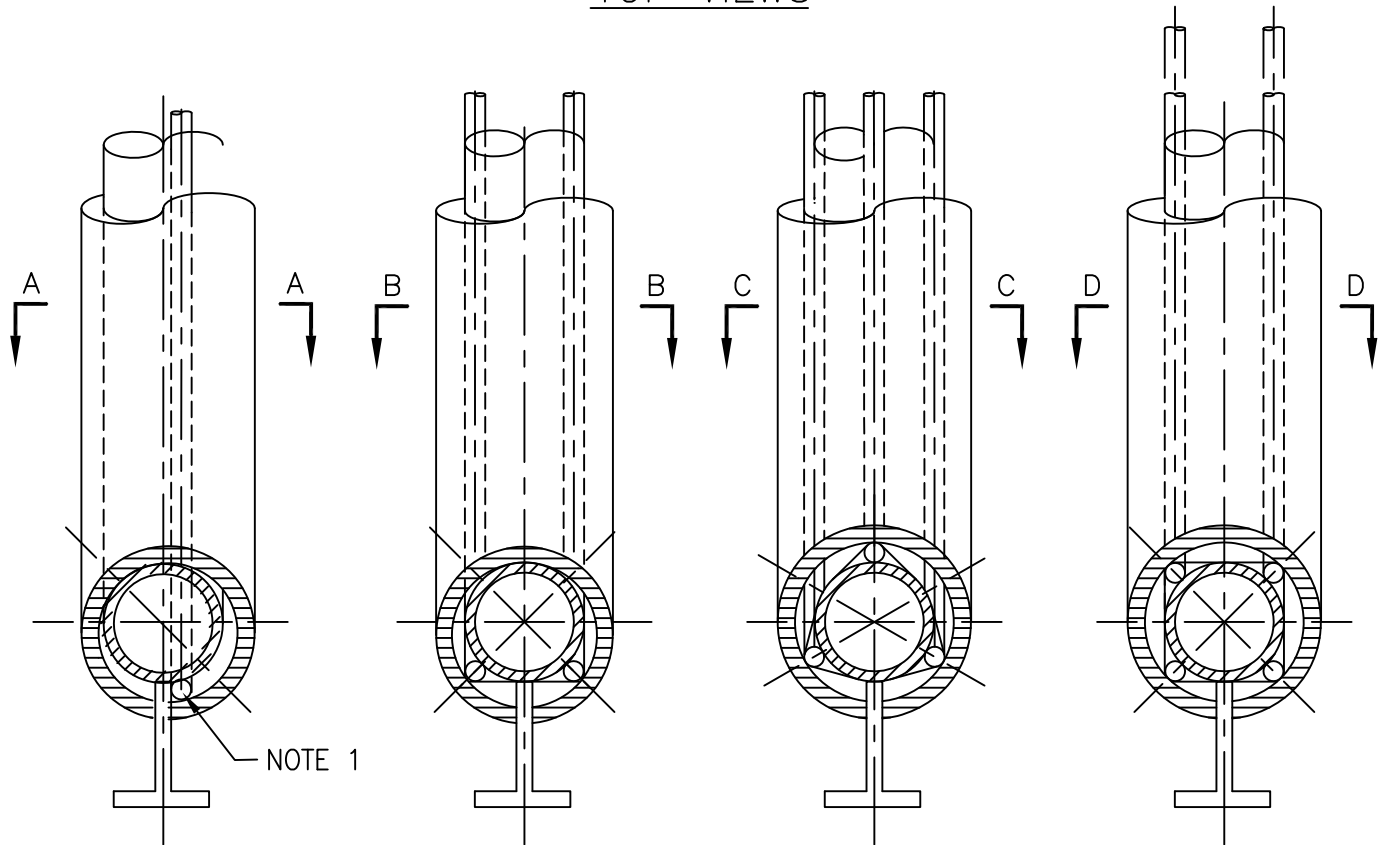


TOP VIEWS



ONE TRACER TWO TRACERS THREE TRACERS FOUR TRACERS

END VIEWS

NOTES

1. PIPE SUPPORTED ON PIPE SHOES WITH A SINGLE TRACER SHALL HAVE THE TRACER LOCATED AS CLOSELY AS POSSIBLE TO THE PIPE SHOE.

0	ISSUED FOR CONSTRUCTION								
REV	REVISION				DATE	DRN	CHK	ENG	APP
CLIENT		TITLE							
		GLYCOL TRACING TRACER SPACING DETAILS							
PREPARED BY		SCALE	DWG. No. GT-010			PROJ.		REV.	
		N.T.S.	CLIENT DWG. No.					0	