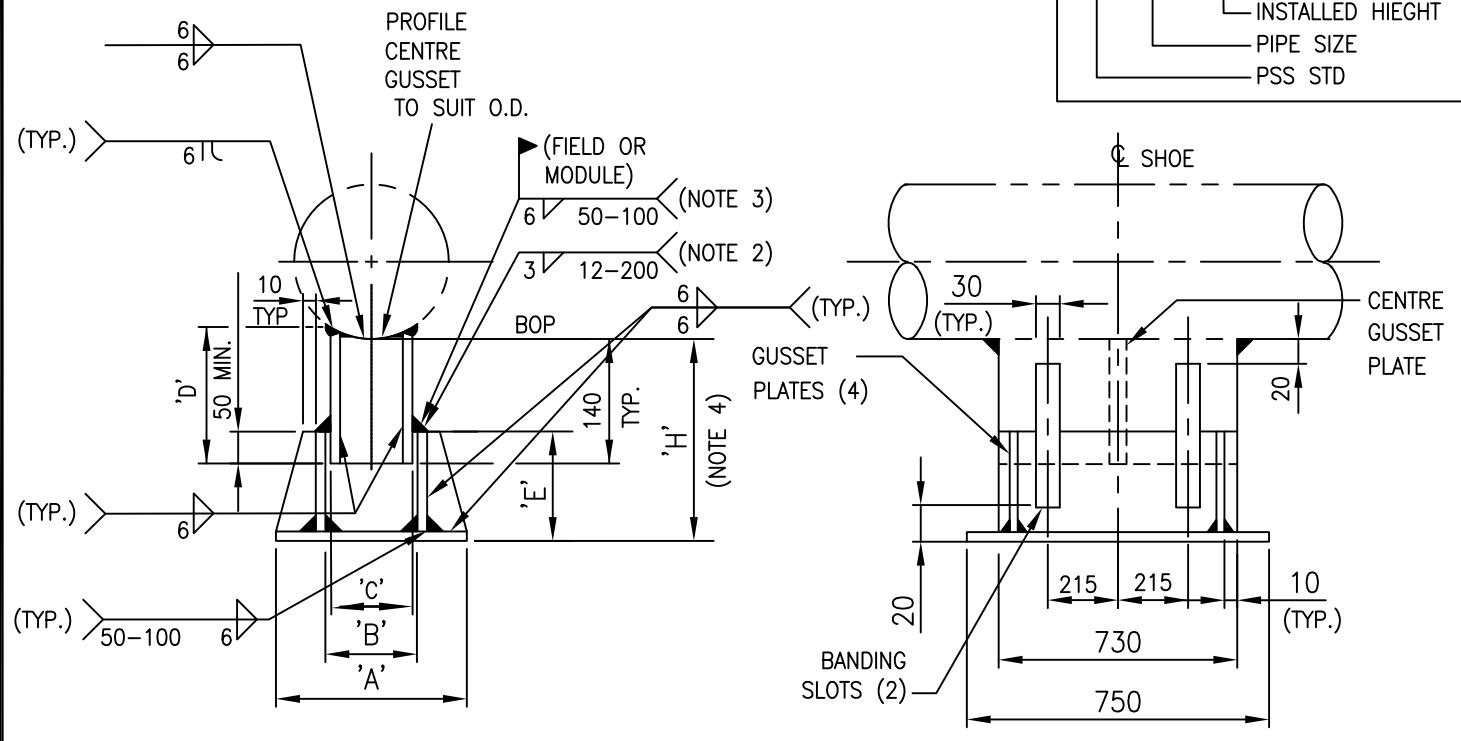


CODING EXAMPLE
 PS18-20"- 200
 ↑
 ↑
 ↑
 INSTALLED HEIGHT
 PIPE SIZE
 PSS STD



PIPE SIZE	'A'	'B'	'C'	'D'	'E'	'H'	
						MAX.	MIN.
12"	310	190	165	163	180	270	155
14"	360	240	215	176	180	270	155
16"	385	265	240	179	180	270	155
18"	415	295	270	184	180	270	155
20"	465	345	320	197	180	270	155
24"	565	445	420	224	230	320	155
30"	715	595	570	268	230	320	155
36"	865	745	720	315	230	320	155

NOTES

1. ALL MATERIAL IS CARBON STEEL PLATE CSA G40.21-04 GR.300W - 12mm THK.
2. PIPING FABRICATOR TO TACK WELD SHOES AT INSTALLED HEIGHT.
3. FIELD CONSTRUCTOR OR MODULE FABRICATOR TO GRIND OFF TACK WELDS IF NECESSARY, ADJUST TO FINAL HEIGHT AND ANGLE WELD AS INDICATED.
4. MINIMUM INSTALLED HEIGHT 'H' IS 155. FOR HEIGHTS LESS THAN 155 USE PSS-PS09 & PSS-PS10 SHOES.

0	ISSUED FOR CONSTRUCTION									
REV	REVISION					DATE	DRN	CHK	ENG	APP
CLIENT		TITLE PIPE SUPPORT STANDARD LONG VARIABLE HEIGHT PIPE SHOES NPS 12" TO NPS 36" PS18								
PREPARED BY		SCALE	DWG. No. PSS-PS18				PROJ.		REV.	
		N.T.S.	CLIENT DWG. No.						0	