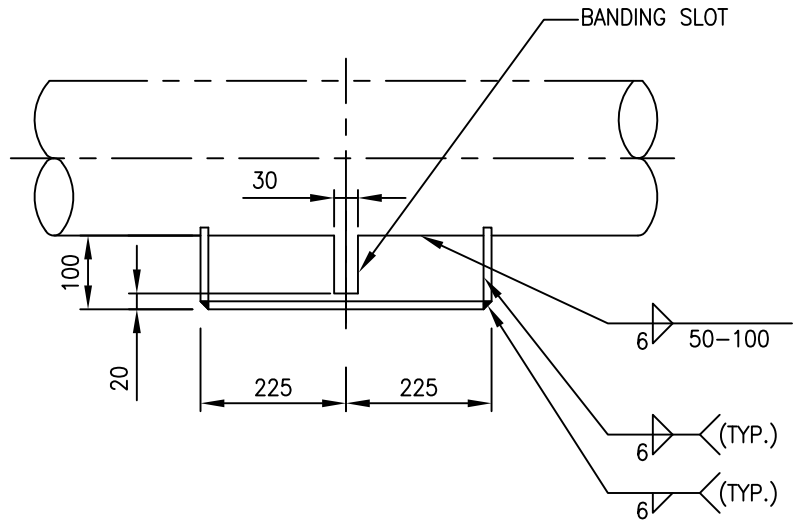
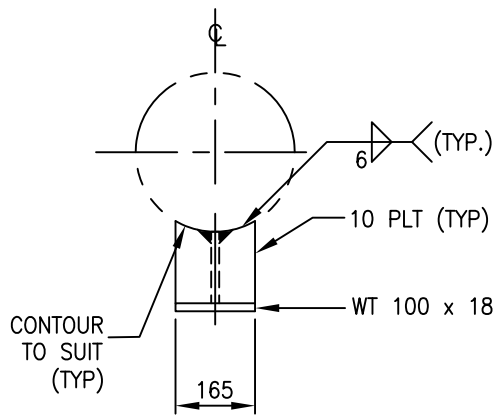


CODING EXAMPLE
 PS6-12"
 PIPE SIZE
 PSS STD



NOTES

1. ALL MATERIAL IS CARBON STEEL CSA G40.21 GR.350W OR GR.300W.
2. WHERE A SHOE IS USED IN COMBINATION WITH A REINFORCING PAD THE TOTAL SHOE HEIGHT MUST BE MAINTAINED BY TRIMMING THE SHOE BY THE AMOUNT OF THE REPAD THICKNESS.

0	ISSUED FOR CONSTRUCTION						
REV	REVISION	DATE	DRN	CHK	ENG	APP	
CLIENT	TITLE PIPE SUPPORT STANDARD PIPE SHOES 100 mm HIGH NPS 10" to NPS 12" - 450 LG PS6						
PREPARED BY	SCALE N.T.S.	DWG. No. PSS-PS06	CLIENT DWG. No.	PROJ.	REV. 0		