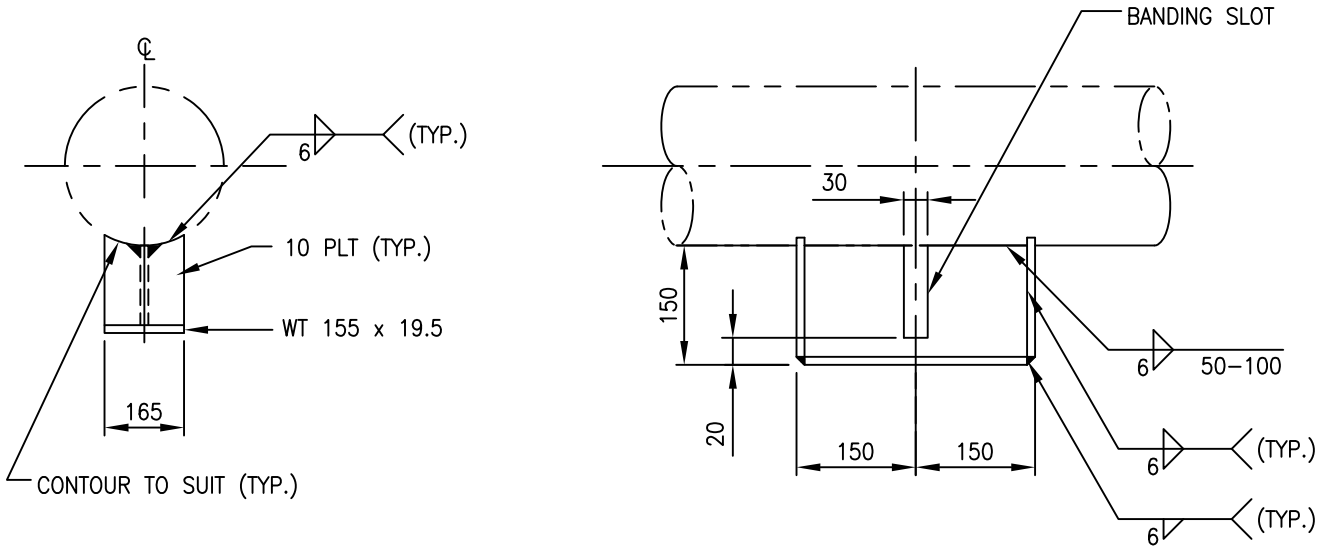


CODING EXAMPLE
 PS4-12"
 PIPE SIZE
 PSS STD



NOTES

- 1. ALL MATERIAL IS CARBON STEEL CSA G40.21 GR. 350W OR GR. 300W.
- 2. WHERE A SHOE IS USED IN COMBINATION WITH A REINFORCING PAD THE TOTAL SHOE HEIGHT MUST BE MAINTAINED BY TRIMMING THE SHOE BY THE AMOUNT OF THE REPAD THICKNESS.

0	ISSUED FOR CONSTRUCTION						
REV	REVISION	DATE	DRN	CHK	ENG	APP	
CLIENT	TITLE PIPE SUPPORT STANDARD PIPE SHOES 150 mm HIGH NPS 10" TO NPS 12" PS4						
PREPARED BY	SCALE N.T.S.	DWG. No. PSS-PS04	CLIENT DWG. No.	PROJ.	REV. 0		