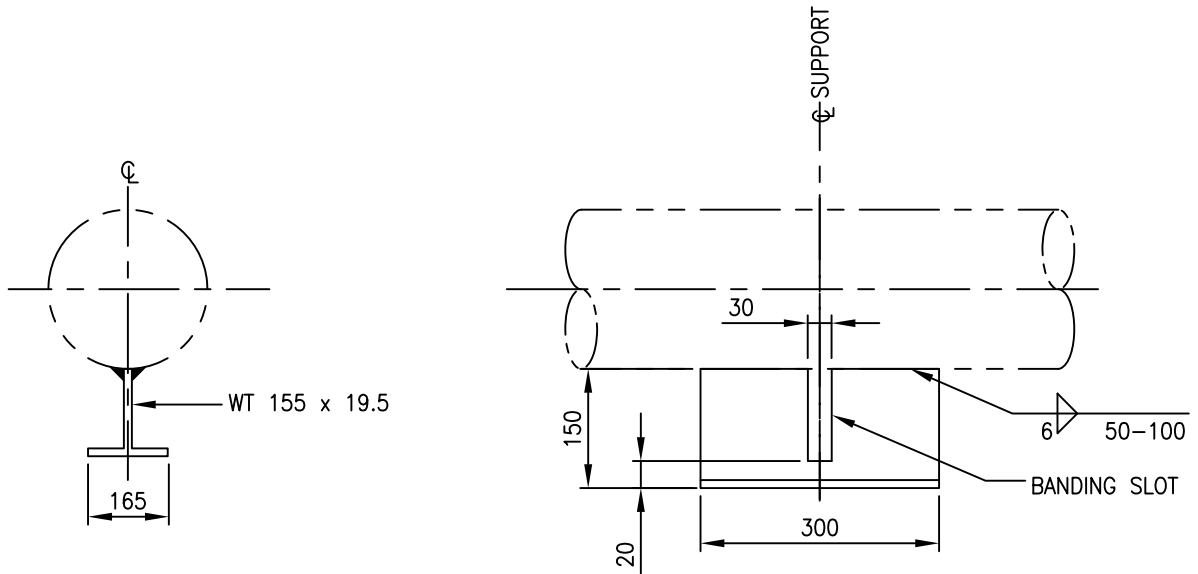
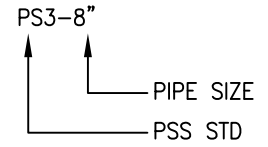


CODING EXAMPLE



NOTES

1. ALL MATERIAL IS CARBON STEEL CSA G40.21 GR. 350W OR GR. 300W.
2. WHERE A SHOE IS USED IN COMBINATION WITH A REINFORCING PAD THE TOTAL SHOE HEIGHT MUST BE MAINTAINED BY TRIMMING THE SHOE BY THE AMOUNT OF THE REPAD THICKNESS.

0	ISSUED FOR CONSTRUCTION					
REV	REVISION	DATE	DRN	CHK	ENG	APP
CLIENT	TITLE PIPE SUPPORT STANDARD PIPE SHOES 150 mm HIGH NPS 8" & BELOW PS3					
PREPARED BY	SCALE N.T.S.	DWG. No. PSS-PS03	CLIENT DWG. No.	PROJ.	REV. 0	