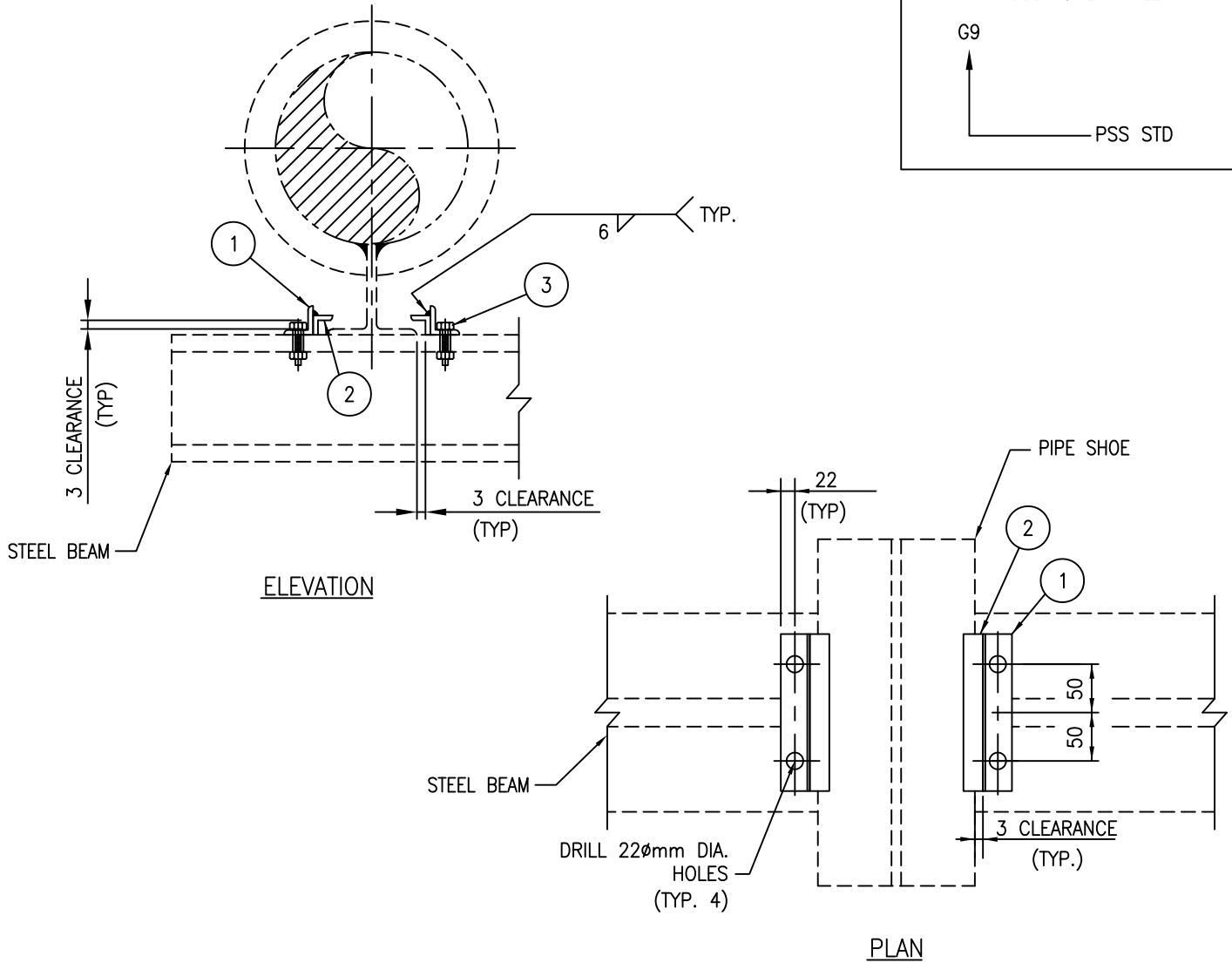


CODING EXAMPLE

G9

PSS STD



MARK No.	DESCRIPTION	No.REQD
1	L 44 x 44 x 6.4 x 150 LG. - G40.21 GR.300W	2
2	Γ 25 x 25 x 6.4 x 150 LG. - G40.21 GR.300W	2
3	BOLTS 3/4" x 2" ASTM A325 C/W NUT & WASHER	4

NOTES:

1. ALL MATERIAL IS CARBON STEEL CSA G40.21 GR.300W.

0	ISSUED FOR CONSTRUCTION						
REV	REVISION	DATE	DRN	CHK	ENG	APP	

CLIENT	TITLE PIPE SUPPORT STANDARD NPS 1/2" TO NPS 6" REMOVABLE HOLD DOWN GUIDE FOR INSULATED LINES ON SHOES, G9					
PREPARED BY	SCALE N.T.S.	DWG. No. PSS-G009	CLIENT DWG. No.	PROJ.	REV. 0	