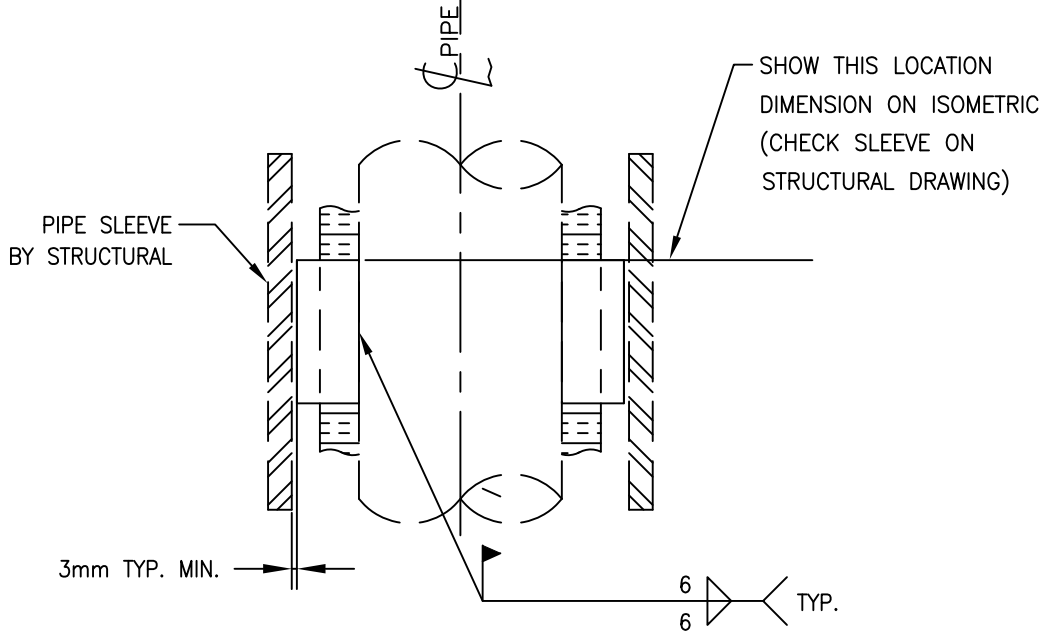
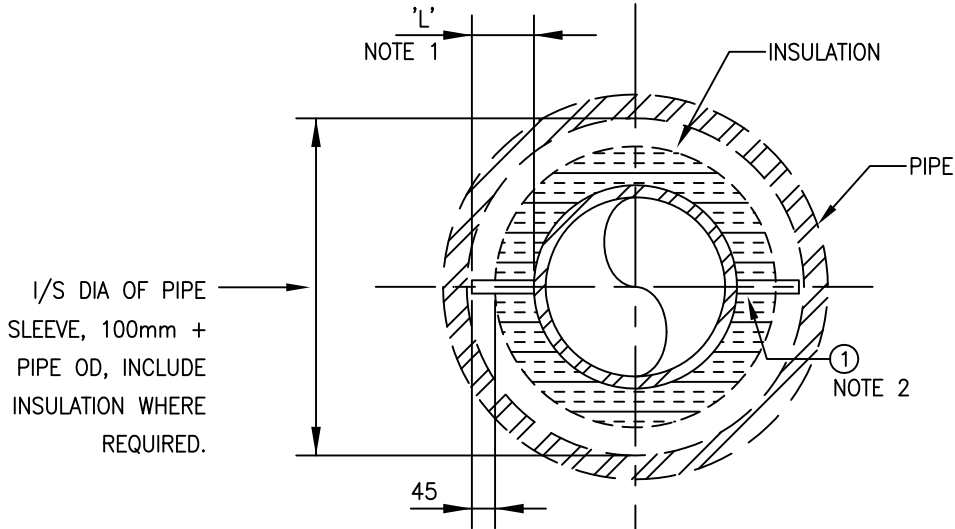
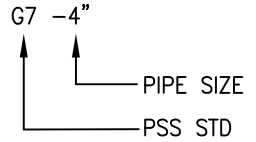


CODING EXAMPLE



ITEM No.	QTY	DESCRIPTION
1	2	FLAT BAR 19mm THK. x 'L' LG. x 100mm LG.

NOTES:

1. WIDTH OF GUIDE BAR 'L' = 45mm + INSULATION.
2. MATERIAL TO BE CARBON STEEL CSA G40.21 GR.300W.

0	ISSUED FOR CONSTRUCTION									
REV	REVISION			DATE	DRN	CHK	ENG	APP		
CLIENT		TITLE PIPE SUPPORT STANDARD PIPE SLEEVE 2-WAY VERTICAL GUIDE G7								
PREPARED BY		SCALE N.T.S.	DWG. No. PSS-G007		PROJ.			REV. 0		

SCALE APPLIES IF PLOTTED ON SIZE A (8.5"x11")