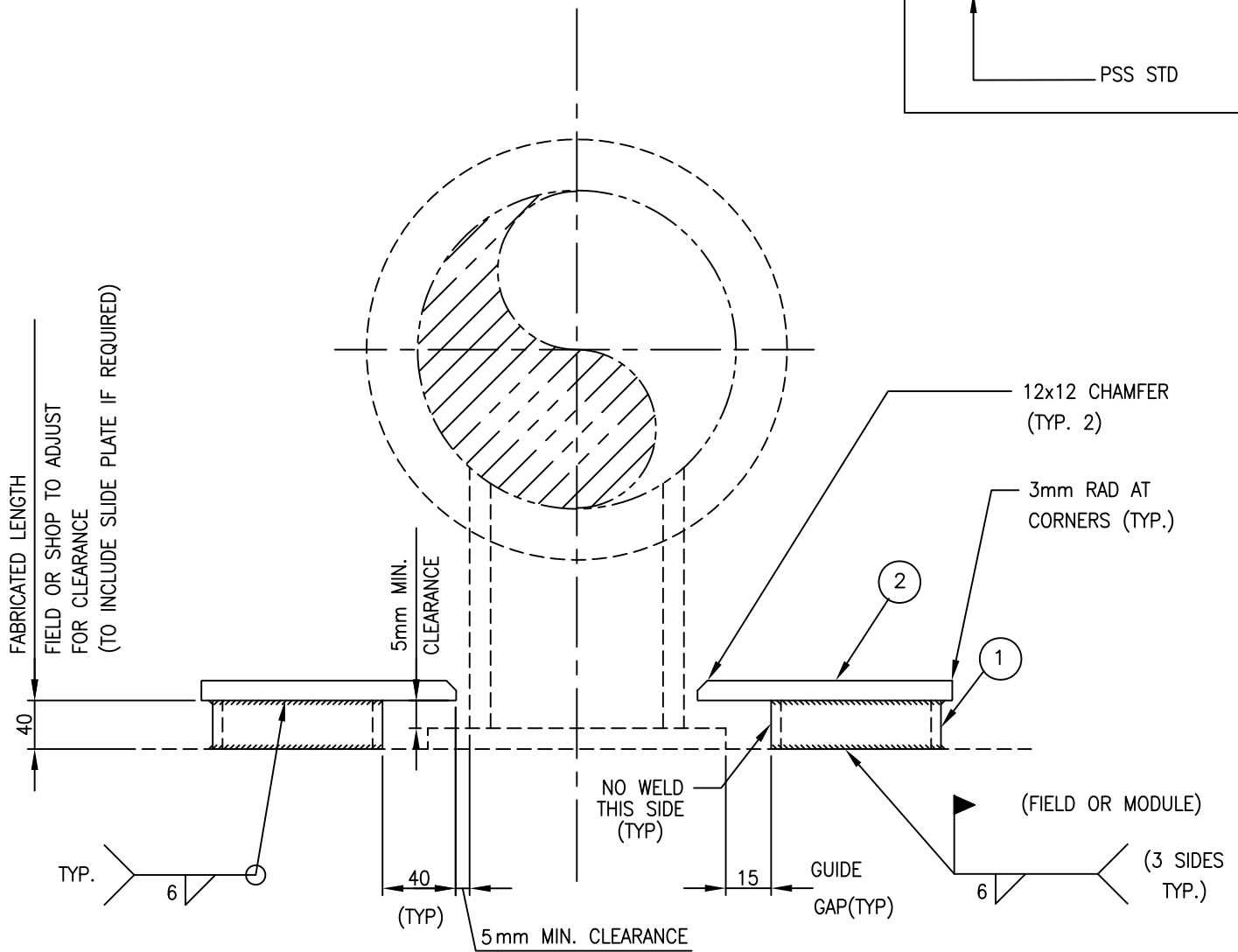


CODING EXAMPLE

G6

PSS STD



MK.	QTY.	DESCRIPTION
1	2	HSS 88.9 x 88.9 x 9.53
2	2	PL 150 x 100 x 20

NOTES:

1. ALL MATERIAL IS CARBON STEEL CSA G40.21 GR.300W OR 350W.
2. ENSURE OVERLAP DOES NOT CLASH WITH SHOE STIFFENERS.

0	ISSUED FOR CONSTRUCTION						
REV	REVISION	DATE	DRN	CHK	ENG	APP	
CLIENT		TITLE PIPE SUPPORT STANDARD NPS 8" TO NPS 24" HOLD DOWN GUIDE FOR INSULATED LINES ON SHOES, G6					
PREPARED BY		SCALE N.T.S.	DWG. No. PSS-G006		PROJ.		REV. 0