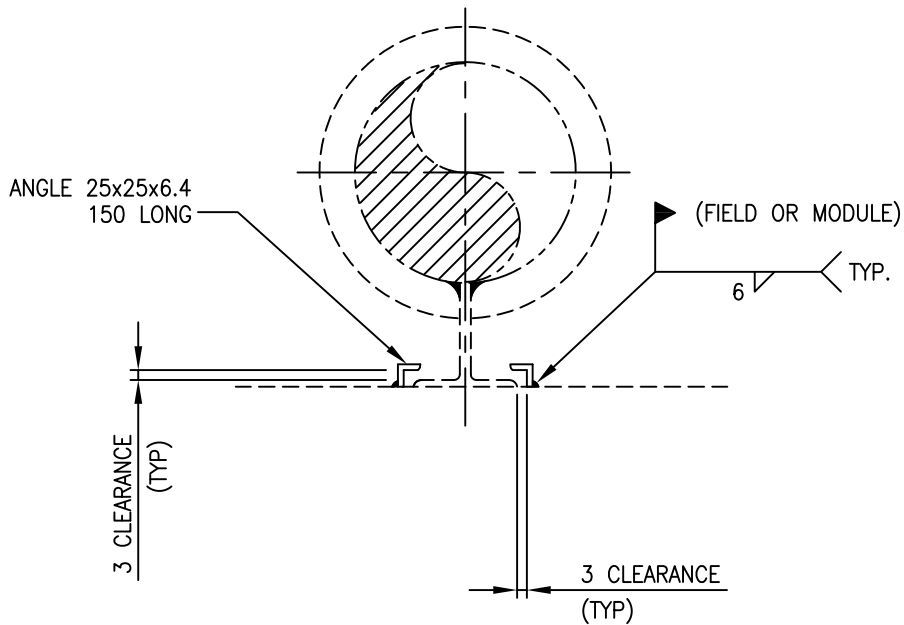


CODING EXAMPLE

G5

PSS STD



NOTES:

1. ALL MATERIAL IS CARBON STEEL CSA G40.21 GR.300W.

0	ISSUED FOR CONSTRUCTION							
REV	REVISION			DATE	DRN	CHK	ENG APP	
CLIENT		TITLE PIPE SUPPORT STANDARD NPS 1/2" TO NPS 6" HOLD DOWN GUIDE FOR INSULATED LINES ON SHOES, G5						
PREPARED BY		SCALE N.T.S.	DWG. No. PSS-G005	CLIENT DWG. No.	PROJ.	REV. 0		