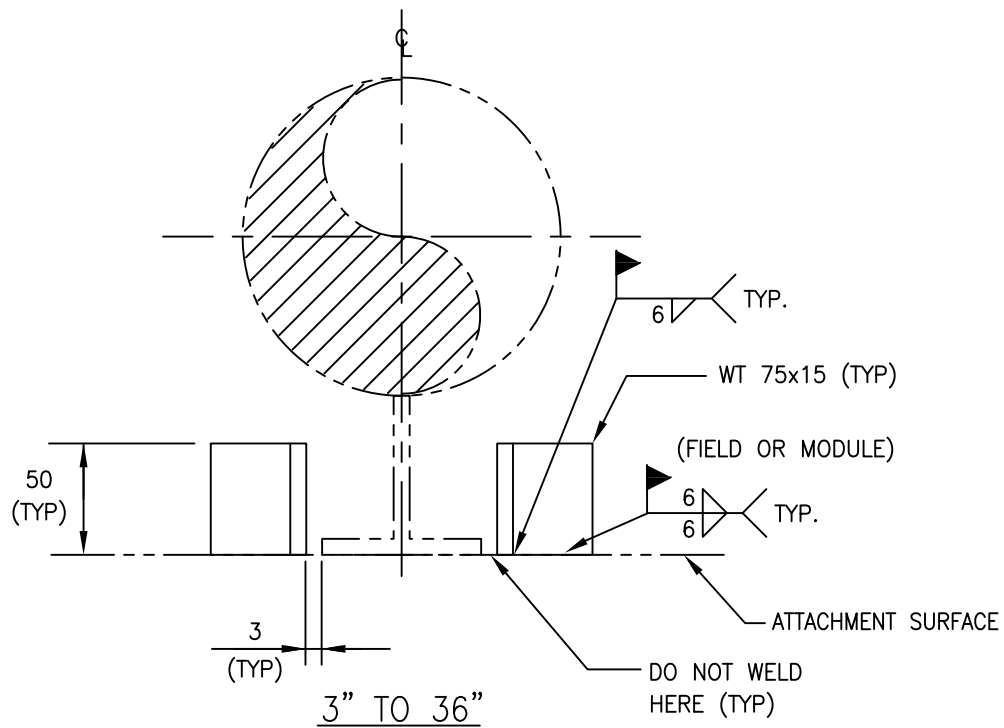
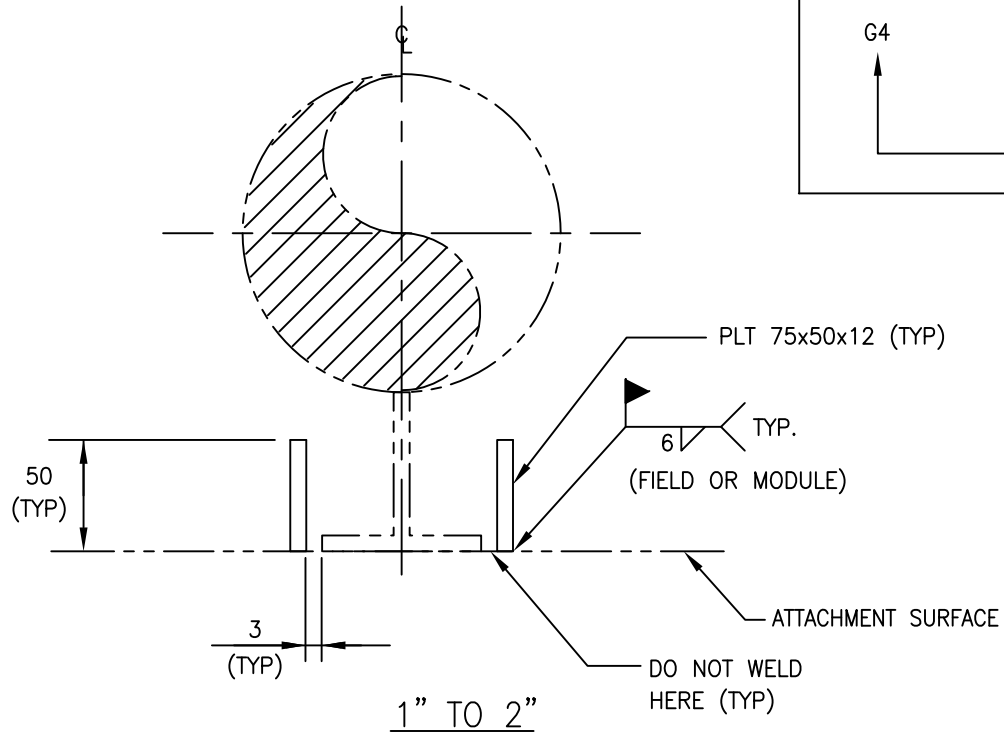


CODING EXAMPLE

G4

PSS STD



NOTES:

1. ALL MATERIAL IS CARBON STEEL CSA G40.21 300W OR 350W.
2. STAGGER GUIDES IF INTERFERENCE OCCURS WITH ADJACENT GUIDES.

0	ISSUED FOR CONSTRUCTION								
REV	REVISION				DATE	DRN	CHK	ENG	APP
CLIENT		TITLE							
		PIPE SUPPORT STANDARD							
		NPS 1" TO NPS 36" PIPE GUIDE FOR INSULATED LINES							
		G4							
PREPARED BY		SCALE	DWG. No. PSS-G004			PROJ.		REV.	
		N.T.S.	CLIENT DWG. No.					0	