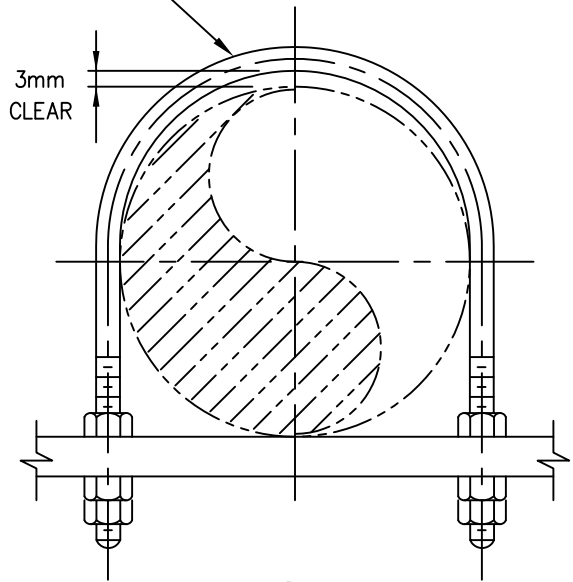


CODING EXAMPLE
 G1-4" OR G2-4"
 ↑ PIPE SIZE
 ↓ PSS STD

STANDARD U-BOLT
 GRINNELL FIGURE 137/137S
 OR EQUAL (NOTE 1, 2)



G1
 TIGHT-GUIDE (NO GAP)

G2
 LOOSE-GUIDE (3 mm GAP)

NOTES:

1. ORDER BY ROD ϕ , PIPE SIZE, MFGS FIGURE NUMBER AND NAME C/W 4 HEX NUTS.
 2. USE GRINNELL FIGURE 137S ONLY WHERE ALLOY MATERIAL OR SPECIAL DIMENSIONS ARE REQUIRED.
- CODING IS G1S OR G2S

0	ISSUED FOR CONSTRUCTION						
REV	REVISION	DATE	DRN	CHK	ENG	APP	
CLIENT		TITLE PIPE SUPPORT STANDARD NPS 1/2" TO NPS 36" U-BOLT PIPE GUIDE FOR BARE LINES G1 AND G2					
PREPARED BY		SCALE N.T.S.	DWG. No. PSS-G001	CLIENT DWG. No.		PROJ.	REV. 0