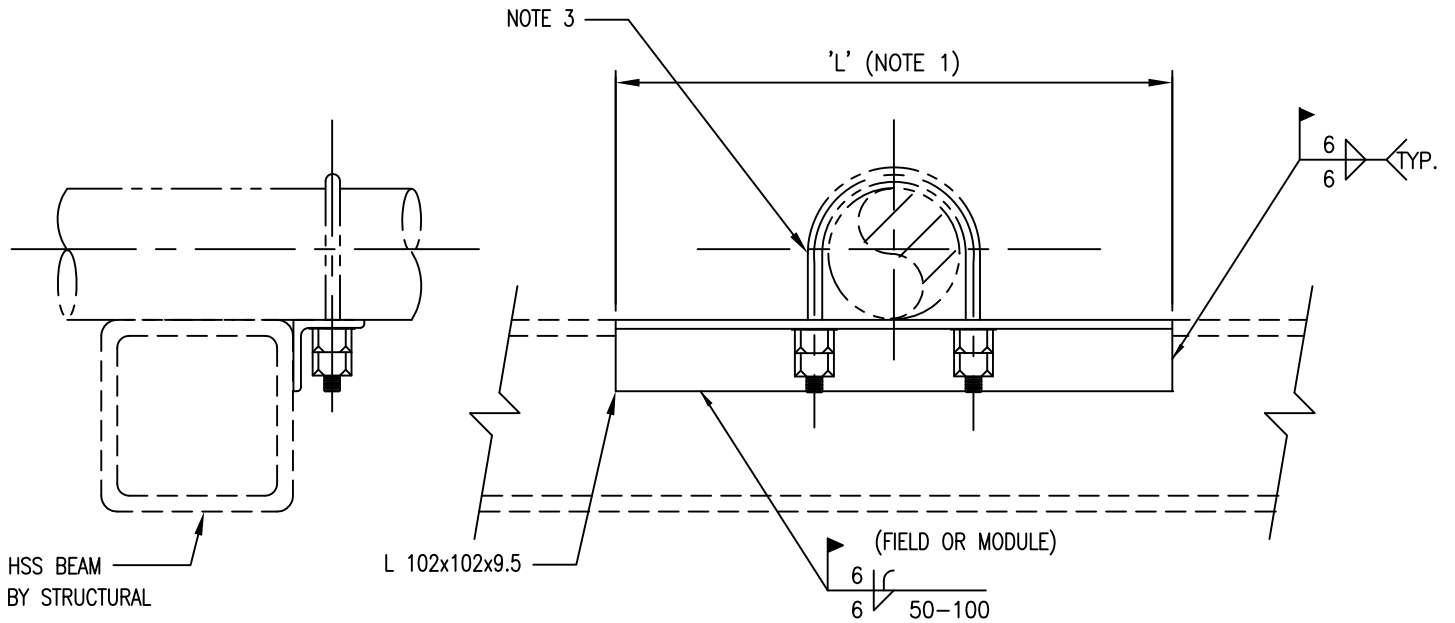
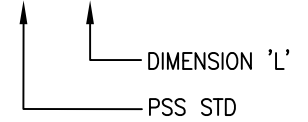


CODING EXAMPLE

FS4-200



NOTES:

1. 200mm LONG MINIMUM. INCREASE AS REQUIRED FOR MULTIPLE U-BOLTS ON THE SAME BEAM
2. ALL ANGLE STEEL TO BE CSA G40.21 GR.300W
3. U BOLTS TO BE CALLED OUT SEPARATELY SEE PSS-G001

0	ISSUED FOR CONSTRUCTION							
REV	REVISION			DATE	DRN	CHK	ENG APP	
CLIENT		TITLE PIPE SUPPORT STANDARD PIPING FIELD GUIDE FOR HSS BEAMS FS4						
PREPARED BY		SCALE N.T.S.	DWG. No. PSS-FS04	CLIENT DWG. No.		PROJ.	REV. 0	