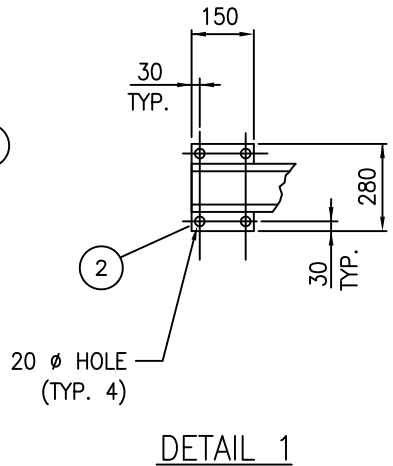
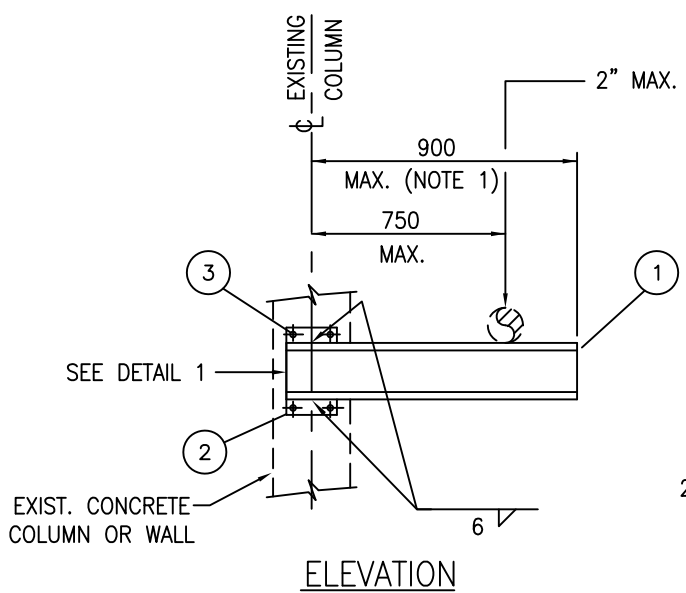
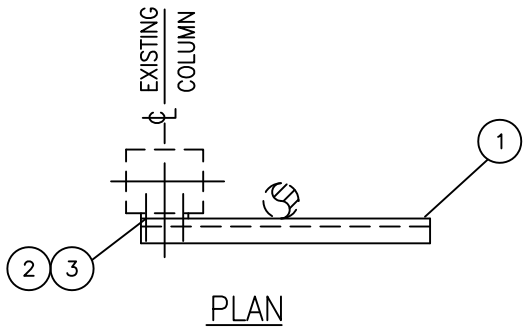


CODING EXAMPLE
 FS3
 PSS STD



MARK No.	No. REQ'D PER UNIT	DESCRIPTION
1	1	C150x12 x 900 LONG - G40.21 GR.300W
2	1	PLATE 150 x 280 x 10 THK. - G40.21 GR.300W
3	4	HILTI ANCHOR HVA M16 x 190

NOTES:

1. INDICATE LENGTH ON ISOMETRIC (COMMENT).

0	ISSUED FOR CONSTRUCTION						
REV	REVISION	DATE	DRN	CHK	ENG	APP	

CLIENT	TITLE PIPE SUPPORT STANDARD PIPING FIELD SUPPORTS FOR CONCRETE COLUMNS FS3					
PREPARED BY	SCALE N.T.S.	DWG. No. PSS-FS03	CLIENT DWG. No.	PROJ.	REV. 0	