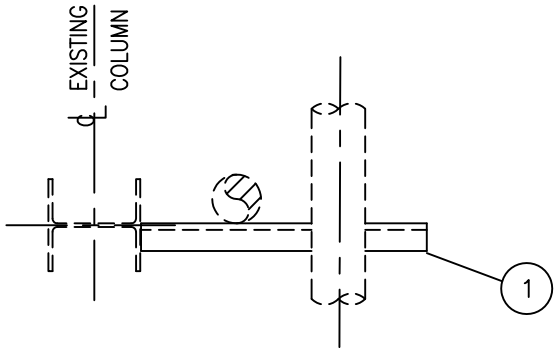
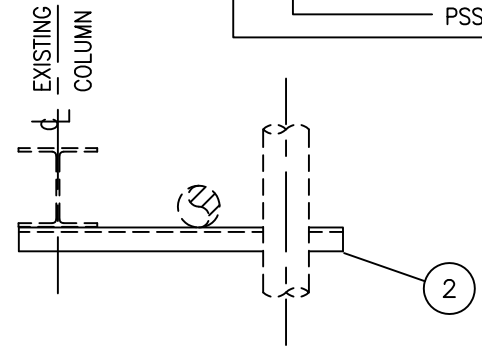


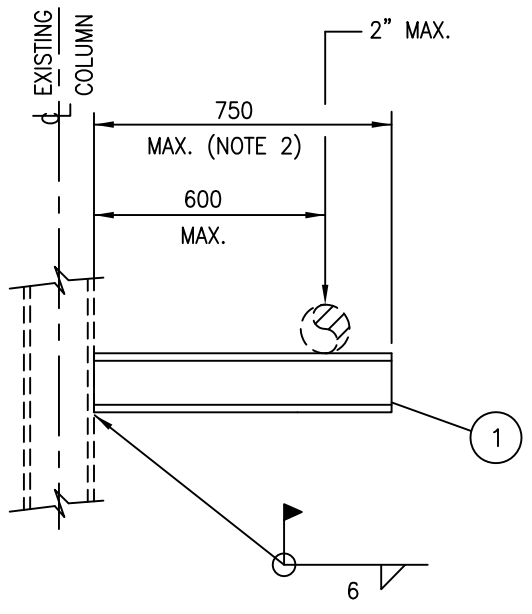
CODING EXAMPLE
 FS1A
 PSS STD



PLAN

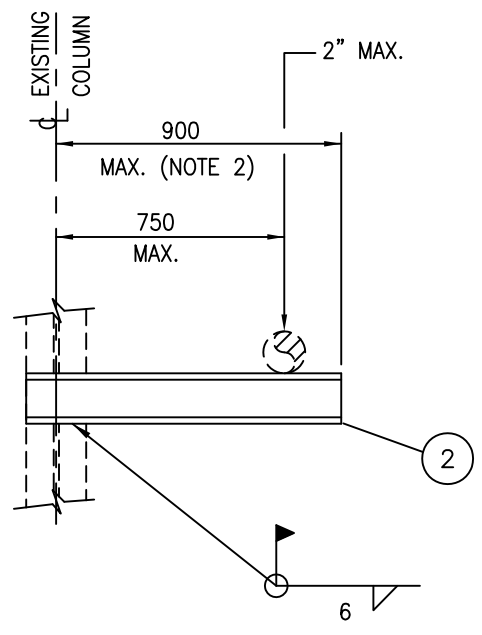


PLAN



ELEVATION

FS1A



ELEVATION

FS1B

MARK No.	No. REQ'D PER UNIT	DESCRIPTION
1	1	C150x12 x 750 LONG - G40.21 GR.300W
2	1	C150x12 x 900 LONG - G40.21 GR.300W

NOTES:

- DO NOT USE ON FIREPROOFED COLUMNS.
- INDICATE LENGTH ON ISOMETRIC (COMMENT).

0	ISSUED FOR CONSTRUCTION					
REV	REVISION	DATE	DRN	CHK	ENG	APP

CLIENT	TITLE PIPE SUPPORT STANDARD PIPING FIELD SUPPORTS FOR STEEL COLUMNS FS1A/FS1B				
PREPARED BY	SCALE N.T.S.	DWG. No. PSS-FS01	CLIENT DWG. No.	PROJ.	REV. 0