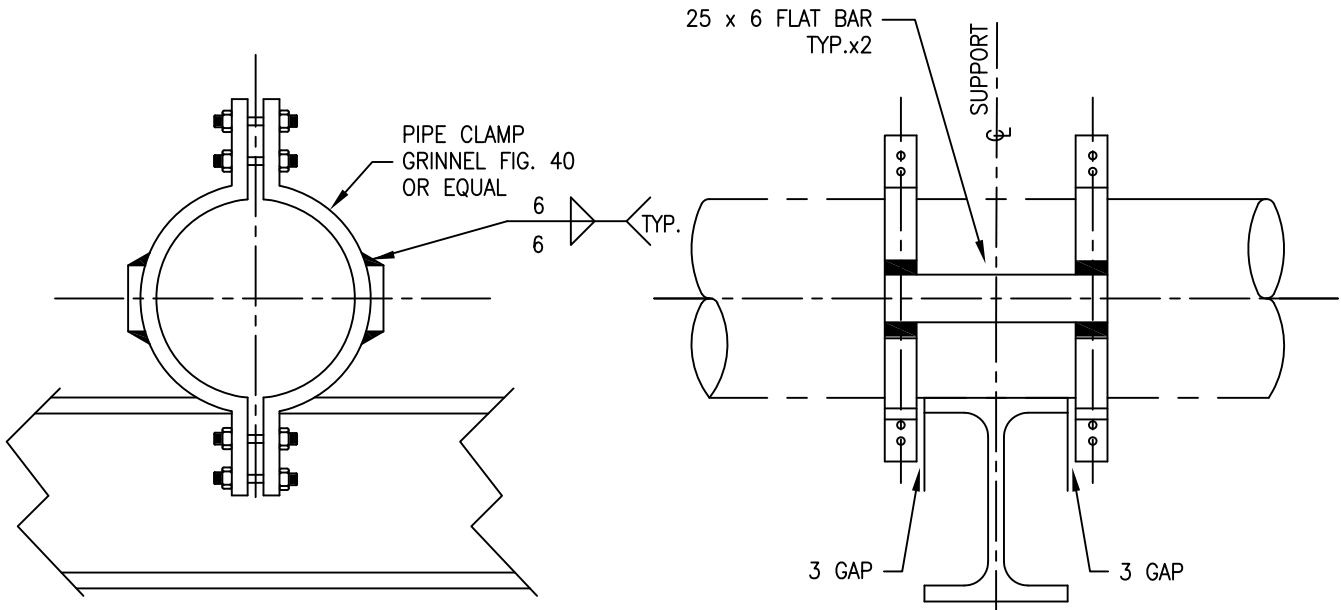
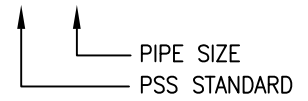


CODING EXAMPLE

DA6-4"



NOTES:

1. FLAT BARS TO BE WELDED TO CLAMPS IN FIELD OR MODULE
2. INSTALL CLAMPS TIGHT

0	ISSUED FOR CONSTRUCTION									
REV	REVISION						DATE	DRN	CHK	ENG APP
CLIENT		TITLE PIPE SUPPORT STANDARD NPS 2" TO NPS 12" DIRECTIONAL ANCHOR BARE GALVANIZED LINES, DA6								
PREPARED BY		SCALE N.T.S.	DWG. No. PSS-DA06				PROJ.		REV. 0	