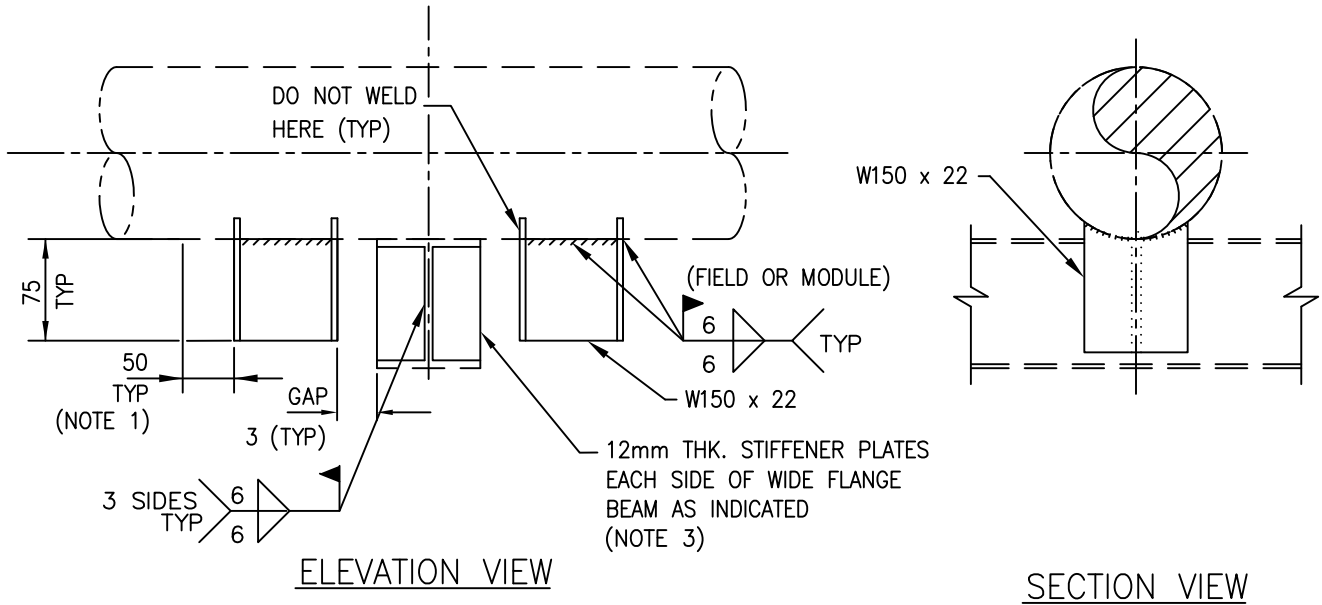
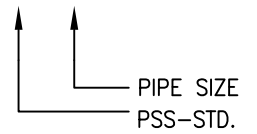


CODING EXAMPLE

DA3-12"



NOTES:

1. DO NOT USE FOR ALLOY OR STAINLESS LINES WITHOUT RE-PAD PSS-RP1.
2. ALL MATERIAL TO BE CARBON STEEL CSA G40.21 GR.350W OR 300W.
3. STIFFENER PLATES ON FIRE PROOFED WIDE FLANGE BEAMS MUST PROJECT 10 mm OUTSIDE OF FIREPROOFING.
4. CONCRETE BEAMS MUST HAVE WEAR PLATES.

0	ISSUED FOR CONSTRUCTION						
REV	REVISION	DATE	DRN	CHK	ENG	APP	
CLIENT	TITLE PIPE SUPPORT STANDARD NPS 12" TO NPS 24" DIRECTIONAL ANCHOR BARE LINES DA3						
PREPARED BY	SCALE N.T.S.	DWG. No. PSS-DA03	CLIENT DWG. No.	PROJ.	REV.	0	