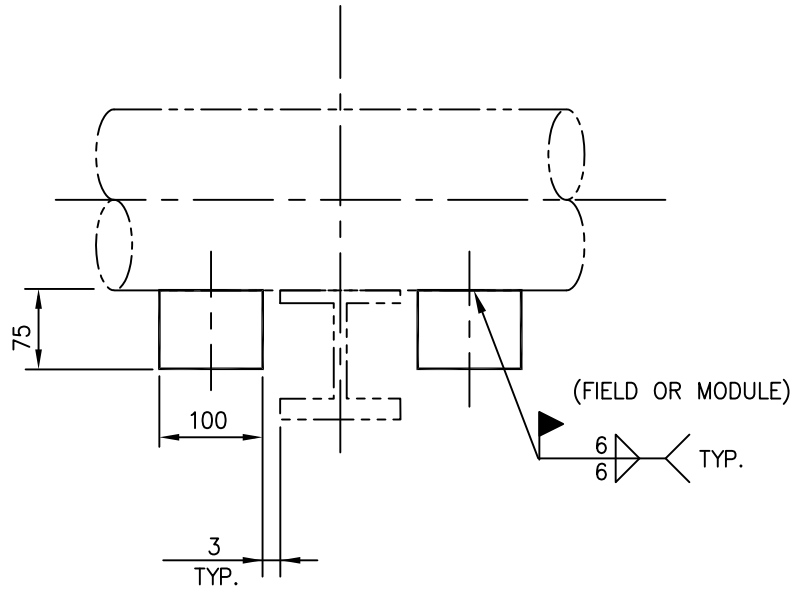
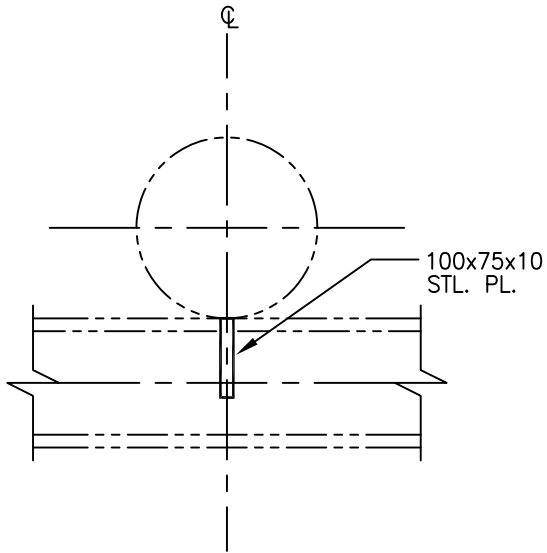
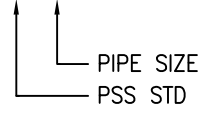


CODING EXAMPLE

DA1-2"



NOTES:

1. DO NOT USE FOR ALLOY OR STAINLESS STEEL LINES WITHOUT RE-PAD PSS-RP01.
2. ALL MATERIAL IS CARBON STEEL CSA G40.21 GR.300W OR GR.350W

0	ISSUED FOR CONSTRUCTION							
REV	REVISION			DATE	DRN	CHK	ENG APP	
CLIENT		TITLE PIPE SUPPORT STANDARD NPS 2" & SMALLER DIRECTIONAL ANCHOR BARE LINES DA1						
PREPARED BY		SCALE N.T.S.	DWG. No. PSS-DA01	PROJ.	REV. 0			