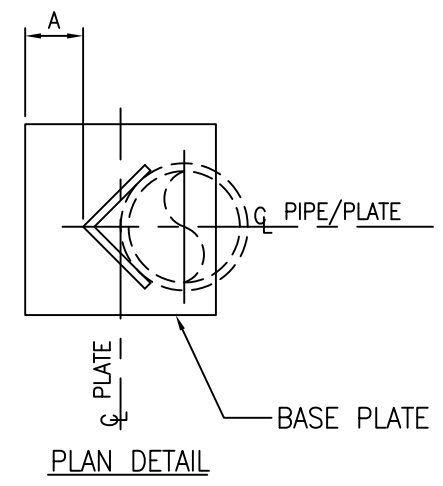
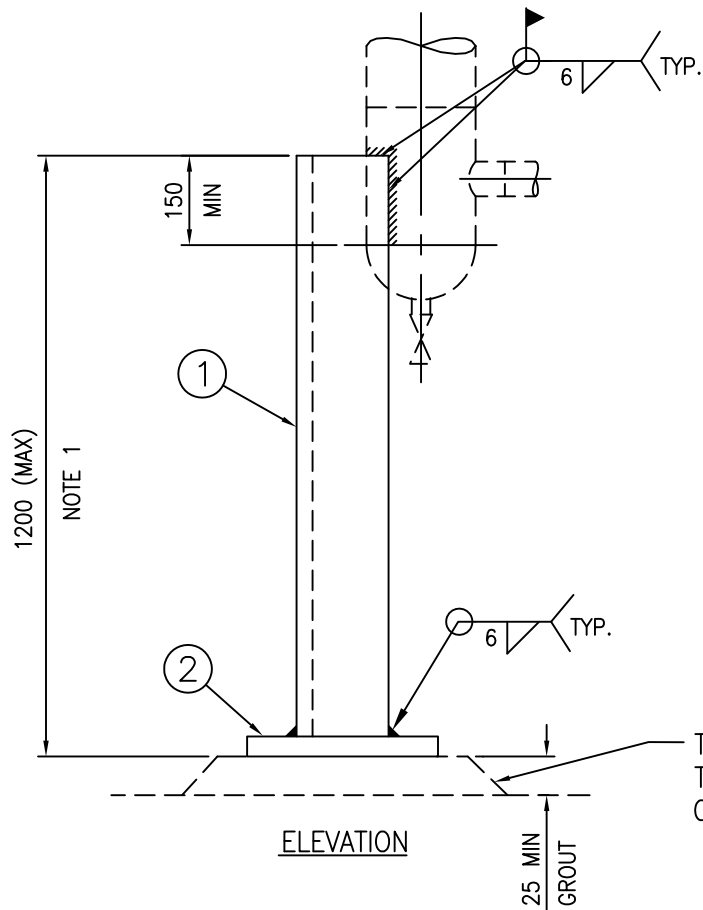
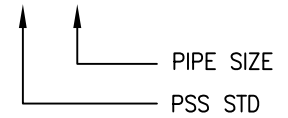


CODING EXAMPLE

BS3-8"



TO SUPPORT STEEL, FIELD GROUT TO LEVEL SURFACE ON PAVED AREA OR CONCRETE PAD

LINE SIZE	ANGLE SIZE	BASE PLATE	A	MAX LOAD (kN)
2"-3"	L 64 x 64 x 6.4	150 x 150 x 10	35	10
4"-6"	L 102 x 102 x 9.5	200 x 200 x 10	35	15
8"-10"	L 127 x 127 x 9.5	300 x 300 x 13	40	20
12"-16"	L 152 x 152 x 13	400 x 400 x 16	40	30

MARK NO	DESCRIPTION	No. REQ./UNIT
1	ANGLE, CSA G40.21 GR.300W x 1200 LG (SEE TABLE)	1
2	BASE PLATE, CSA G40.21 GR.300W (SEE TABLE)	1

**NOTES:**

1. FIELD TO CUT LENGTH AS REQUIRED

0	ISSUED FOR CONSTRUCTION									
REV	REVISION					DATE	DRN	CHK	ENG	APP
CLIENT		TITLE PIPE SUPPORT STANDARD NPS 2" TO NPS 16" BASE SUPPORTS FOR DRIP LEGS BS3								
PREPARED BY		SCALE	DWG. No. PSS-BS03			PROJ.			REV.	
		N.T.S.	CLIENT DWG. No.						0	