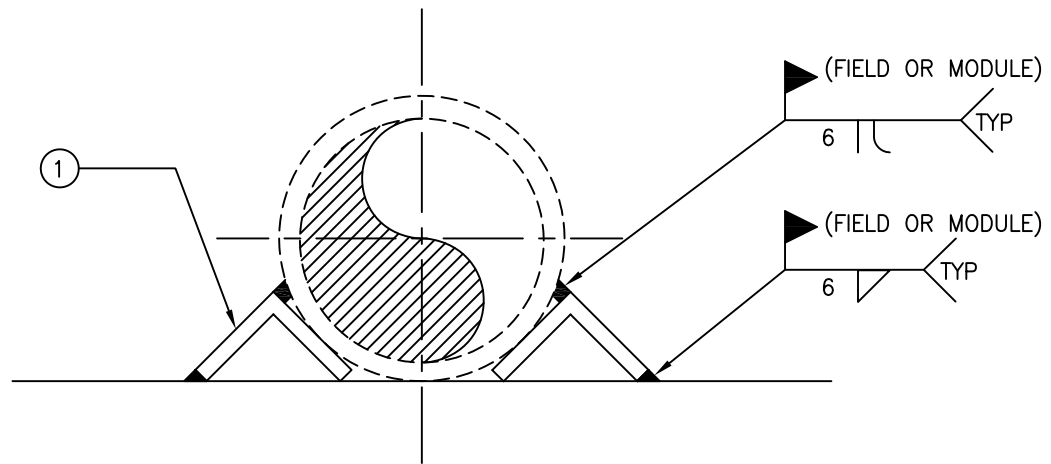
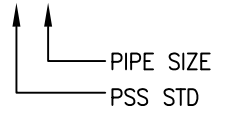


CODING EXAMPLE

A1-2"



PIPE SIZE NPS	ITEM ①
2 & SMALLER	L 25X25X6.4, 300LG; 2 REQ'D
3	L 51X51X6.4, 300LG; 2 REQ'D

NOTES:

1. ALL MATERIAL TO BE CSA G40.21 GR. 300W.
2. DO NOT USE ON GALVANIZED LINES OR PWHT LINES.

0	ISSUED FOR CONSTRUCTION							
REV	REVISION			DATE	DRN	CHK	ENG APP	
CLIENT	TITLE PIPE SUPPORT STANDARD NPS 3" & SMALLER FIXED ANCHOR FOR BARE LINES A1							
PREPARED BY	SCALE N.T.S.	DWG. No. PSS-A001	PROJ.	REV. 0				
		CLIENT DWG. No.						