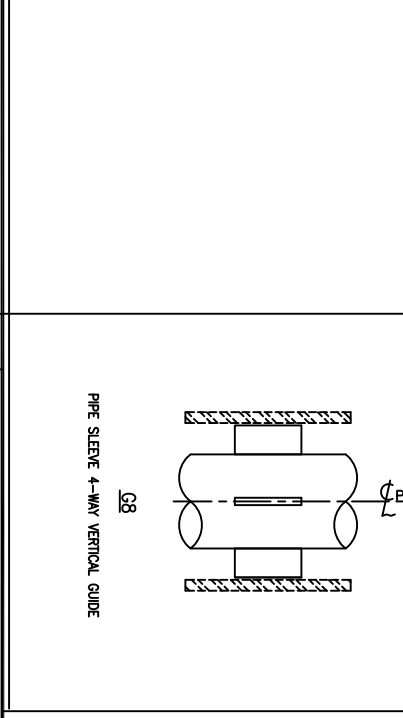
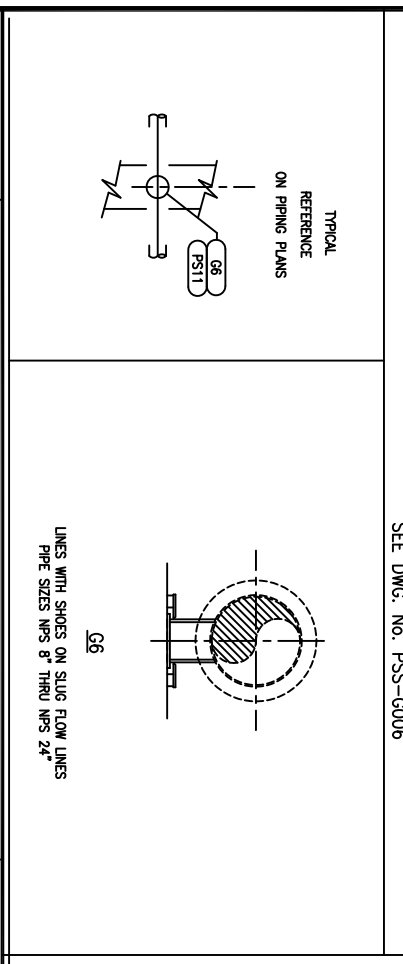
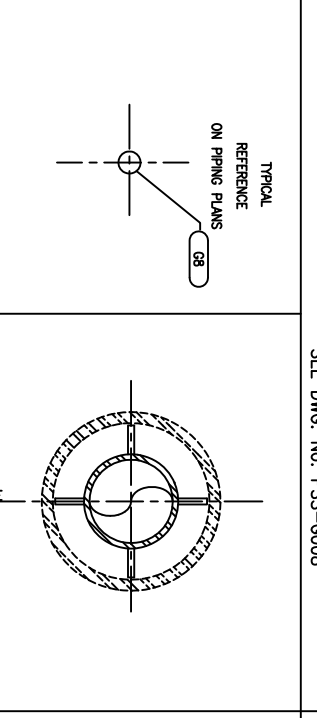
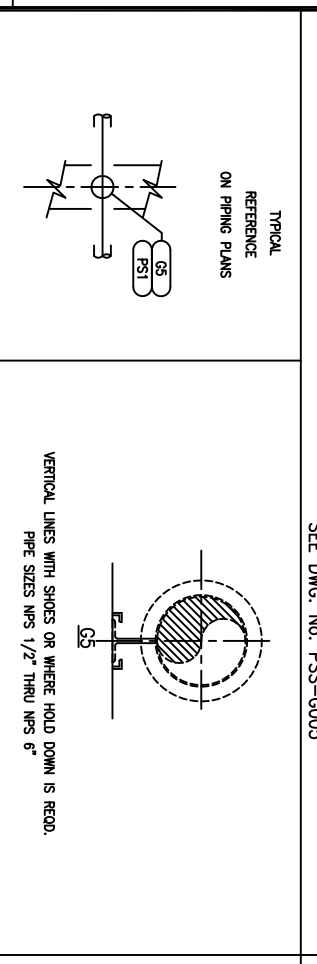
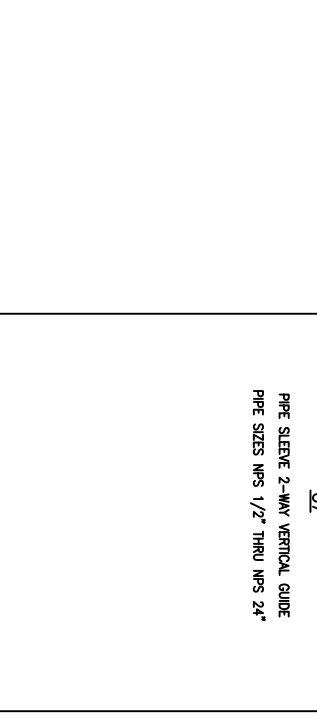
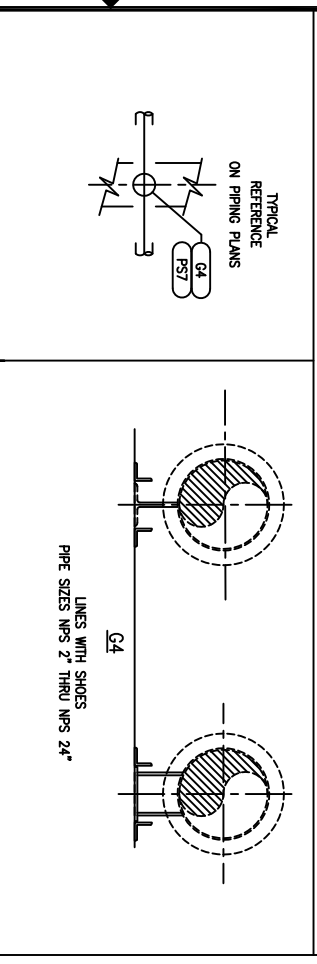
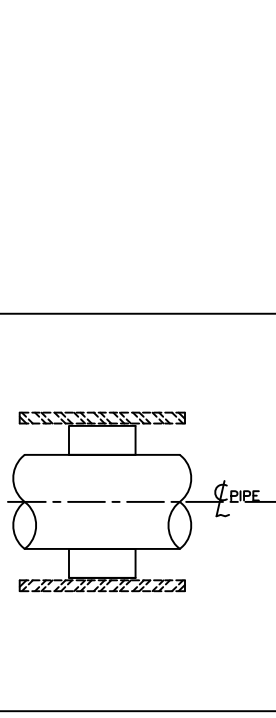
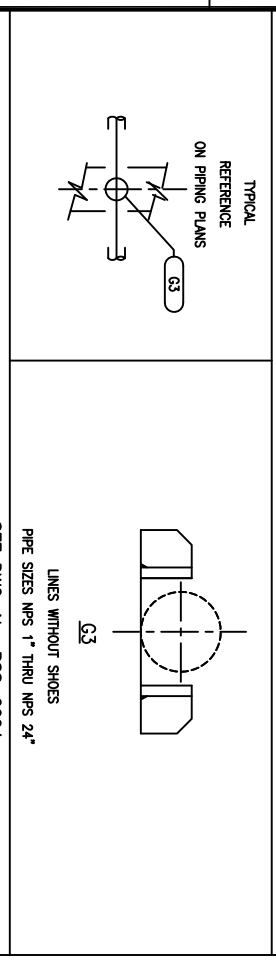
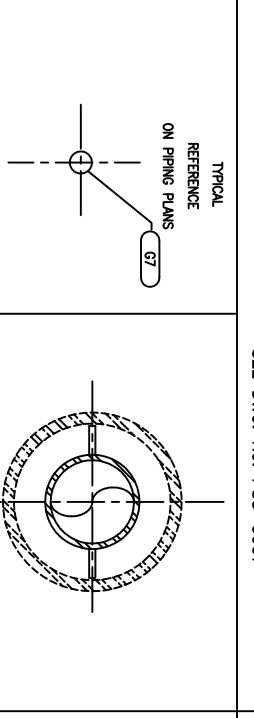
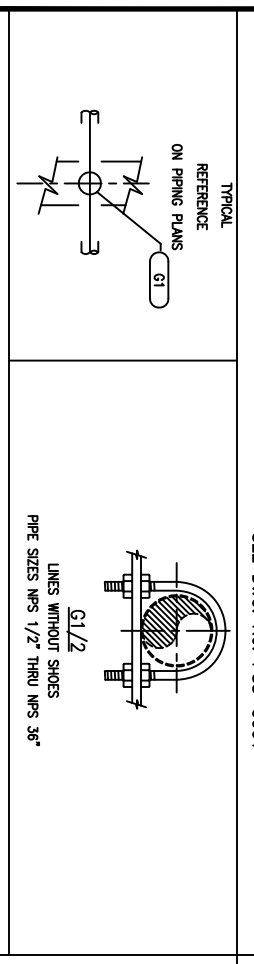


GUIDES

NOTES

1. THIS DRAWING SHALL BE USED FOR SELECTION AND APPLICATION ONLY. DETAILS ARE SHOWN ON FABRICATION DRAWING
2. DEVIATIONS FROM THIS DRAWING SHALL BE REVIEWED BY STRESS ENGINEER AND DETAILED ON PIPING ISOMETRIC.
3. THIS DRAWING IS NOT APPLICABLE FOR LINES IN VACUUM SERVICE AND ACOUSTICALLY INSULATED PIPING.
4. LOCATION OF PIPE GUIDES TO BE DETERMINED BY STRESS ENGINEER



DRAWING NO.	REFERENCE DRAWINGS	REV.	DESCRIPTION	BY	DATE	CHK	APP.	CLIENT	CLIENT BY:	DATE	SCALE	JOB NO.	DRAWING NO.	REV.
											N.T.S.			
											TITLE SELECTION & APPLICATION GUIDES FOR GUIDES SAG6			
											DRAWN BY: _____ DATE _____ DESIGNED BY: _____ DATE _____ CHECKED BY: _____ DATE _____ APPROVED BY: _____ DATE _____			