

BASE SUPPORTS

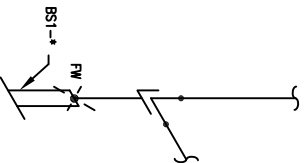
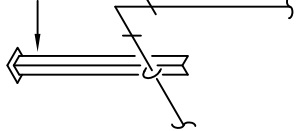
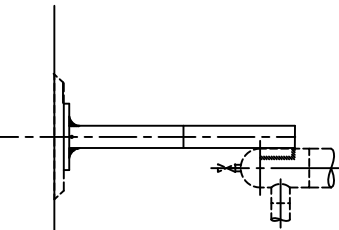
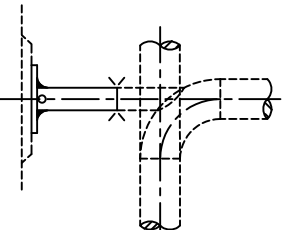
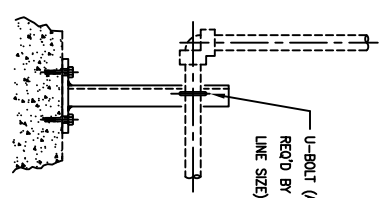
SEE DWG. No. PSS-BS01

SEE DWG. No. PSS-BS02

SEE DWG. No. PSS-BS03

NOTES

1. THIS DRAWING SHALL BE USED FOR SELECTION & APPLICATION ONLY. DETAILS OF BASE SUPPORT AND GUIDES ARE SHOWN ON FABRICATION AND INSTALLATION DRAWINGS.
2. WHEN THE CONDITION(S) LISTED BELOW EXIST, CONSULT STRESS ENGINEER PRIOR TO SELECTION OF ELBOW ATTACHMENTS.
 - 2.1 DESIGN TEMPERATURE OF PIPE BELOW -50°C
 - 2.2 OPERATING PRESSURE 3000 psig & ABOVE
 - 2.3 LINE CONNECTED TO RECIPROCATING COMPRESSORS AND PUMPS
 - 2.4 LINES OPERATING IN A CYCLING AND/OR VIBRATING SERVICE
 - 2.5 CHROME ALLOYS OF 2 Cr. THRU 17 Cr.
 - 2.6 COLUMBIUM STABILIZED STAINLESS STEELS (TYPE 347) THICKNESS EXCEEDING 1/4"
 - 2.7 LINES IN HYDROGEN (700 KPa PARTIAL PRESSURE & ABOVE), & OXYGEN SERVICE.
 - 2.8 DESIGN TEMPERATURE 750°C & ABOVE
3. PIPE STUBS AND BASE ATTACHMENTS
 - 3.1 ALL STUBS SHALL BE INSTALLED BY THE PIPING SPOOL FABRICATOR.
 - 3.2 ALL BASE ATTACHMENTS SHALL BE INSTALLED BY THE MECHANICAL CONTRACTOR
 - 3.3 STUB LENGTH SHALL BE AS PER ISO OR FABRICATION DWG.
 - 3.4 STUB MATERIAL SHALL MATCH THE MATERIAL OF THE SUPPORTED PIPE
4. NOT NORMALLY INDICATED ON PIPING PLAN BUT INDICATED ON SECTION OR ISOMETRIC DETAIL.

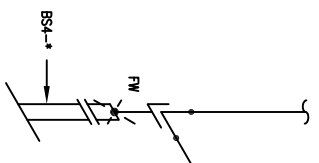
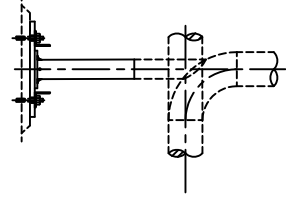
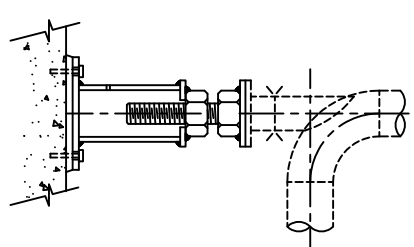
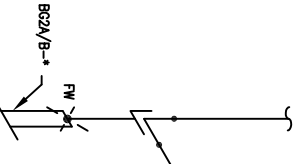
<p>TYPICAL REFERENCE ON PIPING PLAN</p> <p>SEE NOTE 4</p>		<p>TYPICAL REFERENCE ON PIPING PLAN</p> <p>SEE NOTE 4</p>		<p>TYPICAL REFERENCE ON PIPING PLAN</p> <p>SEE NOTE 4</p>	
<p>TYPICAL REFERENCE ON PIPING ISOMETRIC</p>	 <p>BS1-* PIPE SIZE NPS 2" THRU NPS 24" PIPE STUB & BASE SUPPORT SIZE</p>	<p>TYPICAL REFERENCE ON PIPING ISOMETRIC</p> <p>SEE NOTE 4</p>	<p>U-BOLT (AS RECD BY LINE SIZE)</p>  <p>BS2 PIPE SIZE NPS 1/2" THRU NPS 4"</p>	<p>TYPICAL REFERENCE ON PIPING ISOMETRIC (NOTE 5)</p>	<p>BS3 BASE SUPPORTS FOR DRIP LESS SIZES NPS 2" TO NPS 16"</p>

ADJUSTABLE BASE SUPPORT

LATERAL BASE GUIDE

SEE DWG. No. PSS-BS04

SEE DWG. No. PSS-BG01A/B

<p>TYPICAL REFERENCE ON PIPING PLAN</p> <p>SEE NOTE 4</p>		<p>TYPICAL REFERENCE ON PIPING PLAN</p> <p>SEE NOTE 4</p>	 <p>BG1A/B PIPE SIZE NPS 2" THRU NPS 24" PIPE STUB & BASE SUPPORT SIZE</p>
<p>TYPICAL REFERENCE ON PIPING ISOMETRIC</p>	 <p>BS4-* PIPE SIZES NPS 2" THRU NPS 12" PIPE STUB & BASE SUPPORT SIZE</p>	<p>TYPICAL REFERENCE ON PIPING ISOMETRIC</p> <p>SEE NOTE 4</p>	 <p>BG2A/B-* PIPE SIZE NPS 2" THRU NPS 24" PIPE STUB & BASE SUPPORT SIZE</p>

DRAWING NO.	REFERENCE DRAWINGS	REV.	DESCRIPTION	BY	DATE	CHK	APP.	CLIENT	CLIENT BY:	DATE	SCALE	JOB NO.	DRAWING NO.	REV.
DRAWN BY:											TITLE			
DESIGNED BY:											SELECTION & APPLICATION GUIDE FOR BASE SUPPORTS			
CHECKED BY:											SAG1			
APPROVED BY:														