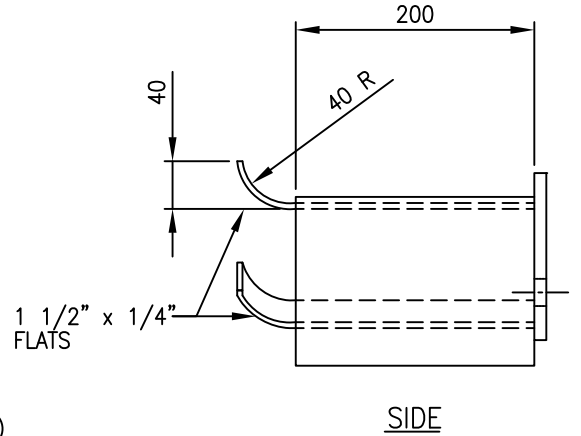
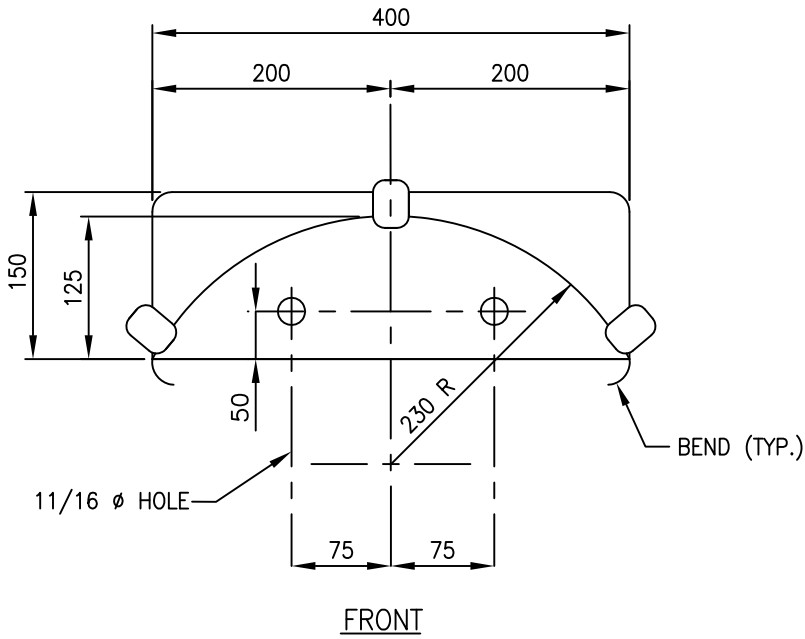


HOSE RACK MOUNTING DETAIL



SIDE

NOTES:

1. MAKE FROM No. 10 GA. PLATE EXCEPT AS NOTED, ROUND ALL CORNERS
2. 2 - SECTIONS REQUIRED PER HOSE STATION.

0	ISSUED FOR CONSTRUCTION				
REV	REVISION	DATE	DRN	CHK	ENG APP
CLIENT	TITLE PIPING STANDARD DETAILS HOSE RACK				
PREPARED BY	SCALE N.T.S.	DWG. No. PSD-0025	CLIENT DWG. No.	PROJ.	REV. 0